

# TULEJE PROWADZĄCE

## GUIDE BUSHES WITH SHOULDER

STANDARD  
WŁOSKI  
**BE**

Materiał / Material

1.7131

Twardość / Hardness

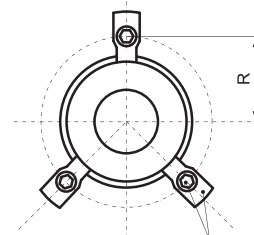
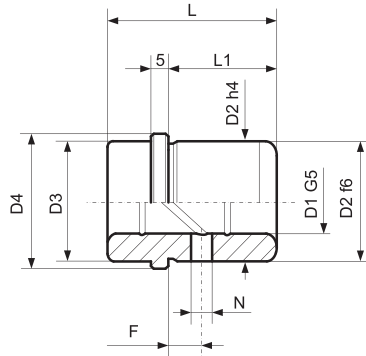
61 ± 63 HRC

Jak zamówić / How to order

Symbol: **BE40C**

Inne wymiary na żądanie  
Other dimensions on demand

Zaczepty i śruby str. 285  
Retaining clamps and screws page 285



Zamów oddzielnie  
On request  
D1 ≤ 25 = 3 szt. S6 + V8 M6x16  
D1 > 25 = 3 szt. S8 / SA8 + V8 M8x20

Elementy prowadzące do tłoczników

TYP C										
Symbol	D1	L	D2	D3	D4	L1	R	N	F	
BE18C	18	31	28	29	34	18	21	5	8	
BE19C	19	31	28	29	34	18	21	5	8	
BE24C	24	36	38	39	44	23	26	5	9	
BE25C	25	36	38	39	44	23	26	5	9	
BE30C	30	43	45	48	53	30	31.5	5	11	
BE32C	32	43	45	48	53	30	31.5	5	11	
BE40C	40	51	54	58	63	38	36.5	8	11	
BE42C	42	51	54	58	63	38	36.5	8	11	
BE50C	50	61	65	74	79	48	44.5	8	14	
BE52C	52	61	65	74	79	48	44.5	8	14	
BE63C	63	74	81	87	92	61	51	8	19	

TYP XM										
Symbol	D1	L	D2	D3	D4	L1	R	N	F	
BE18XM	18	50	28	29	34	37	21	5	8	
BE19XM	19	50	28	29	34	37	21	5	8	
BE24XM	24	55	38	39	44	42	26	5	12	
BE25XM	25	55	38	39	44	42	26	5	12	
BE30XM	30	60	45	48	53	47	31.5	5	16	
BE32XM	32	60	45	48	53	47	31.5	5	16	
BE40XM	40	67	54	58	63	54	36.5	8	19	
BE42XM	42	67	54	58	63	54	36.5	8	19	
BE50XM	50	75	65	74	79	62	44.5	8	19	
BE52XM	52	75	65	74	79	62	44.5	8	19	
BE63XM	63	90	81	87	92	77	51	8	19	

# TULEJE PROWADZĄCE

## GUIDE BUSHES WITH SHOULDER

STANDARD  
WŁOSKI  
**BE**

Materiał / Material

1.7131

Twardość / Hardness

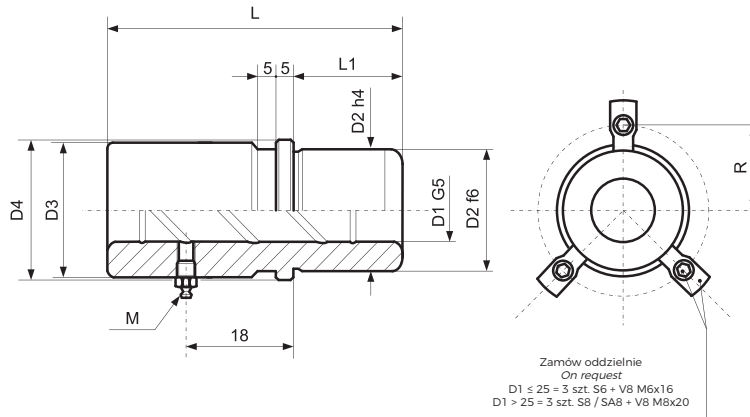
61 + 63 HRC

Jak zamówić / How to order

Symbol: **BE50L**

Inne wymiary na żądanie  
Other dimensions on demand

Zaczepty i śruby str. 285  
Retaining clamps and screws page 285



TYP M									
Symbol	D1	L	D2	D3	D4	L1	R	M	
BE18M	18	50	28	31	34	18	21	M6X1	
BE19M	19	50	28	31	34	18	21	M6X1	
BE24M	24	55	38	41	44	23	26	M10X1	
BE25M	25	55	38	41	44	23	26	M10X1	
BE30M	30	60	45	50	53	26	31.5	M10X1	
BE32M	32	60	45	50	53	26	31.5	M10X1	
BE40M	40	67	54	60	63	30	36.5	M10X1	
BE42M	42	67	54	60	63	30	36.5	M10X1	
BE50M	50	75	65	76	79	35	44.5	M10X1	
BE52M	52	75	65	76	79	35	44.5	M10X1	
BE63M	63	90	81	89	92	48	51	M10X1	

TYP L									
Symbol	D1	L	D2	D3	D4	L1	R	M	
BE18L	18	70	28	31	34	18	21	M6X1	
BE19L	19	70	28	31	34	18	21	M6X1	
BE24L	24	80	38	41	44	23	26	M10X1	
BE25L	25	80	38	41	44	23	26	M10X1	
BE30L	30	90	45	50	53	26	31.5	M10X1	
BE32L	32	90	45	50	53	26	31.5	M10X1	
BE40L	40	100	54	60	63	30	36.5	M10X1	
BE42L	42	100	54	60	63	30	36.5	M10X1	
BE50L	50	110	65	76	79	35	44.5	M10X1	
BE52L	52	110	65	76	79	35	44.5	M10X1	
BE63L	63	130	81	89	92	48	51	M10X1	

TYP XL									
Symbol	D1	L	D2	D3	D4	L1	R	M	
BE18XL	18	70	28	31	34	27	21	M6X1	
BE19XL	19	70	28	31	34	27	21	M6X1	
BE24XL	24	80	38	41	44	32	26	M10X1	
BE25XL	25	80	38	41	44	32	26	M10X1	
BE30XL	30	90	45	50	53	37	31.5	M10X1	
BE32XL	32	90	45	50	53	37	31.5	M10X1	
BE40XL	40	100	54	60	63	47	36.5	M10X1	
BE42XL	42	100	54	60	63	47	36.5	M10X1	
BE50XL	50	110	65	76	79	57	44.5	M10X1	
BE52XL	52	110	65	76	79	57	44.5	M10X1	
BE63XL	63	130	81	89	92	67	51	M10X1	

Elementy prowadzące do tłoczników