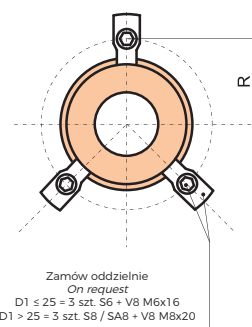
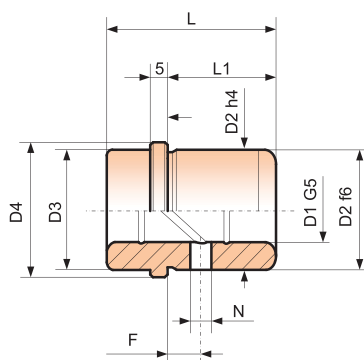


TULEJE PROWADZĄCE BRĄZOWE

GUIDE BUSHES WITH SHOULDER, BRONZE

Materiał / Material

BRĄZ / BRONZE

Jak zamówić / How to orderSymbol: **BBE80C**Inne wymiary na żądanie
Other dimensions on demandZaczepty i śruby str. 285
Retaining clamps and screws page 285

TYP C									
Symbol	D1	L	D2	D3	D4	L1	R	N	F
BBE18C	18	31	28	29	34	18	21	5	8
BBE19C	19	31	28	29	34	18	21	5	8
BBE24C	24	36	38	39	44	23	26	5	12
BBE25C	25	36	38	39	44	23	26	5	12
BBE30C	30	43	45	48	53	30	31,5	5	16
BBE32C	32	43	45	48	53	30	31,5	5	16
BBE40C	40	51	54	58	63	38	36,5	8	19
BBE42C	42	51	54	58	63	38	36,5	8	19
BBE50C	50	61	65	74	79	48	44,5	8	19
BBE52C	52	61	65	74	79	48	44,5	8	19
BBE63C	63	74	81	87	92	61	51	8	19
BBE80C	80	91	100	106	111	78	60,5	8	19

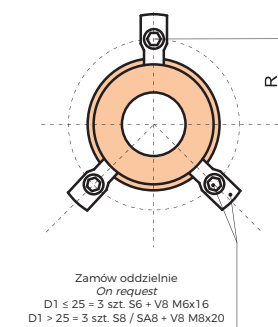
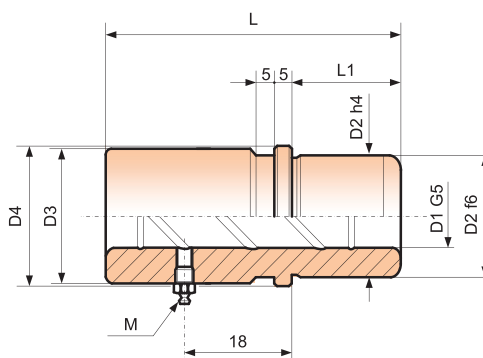
TYP XM									
Symbol	D1	L	D2	D3	D4	L1	R	N	F
BBE18XM	18	50	28	29	34	37	21	5	8
BBE19XM	19	50	28	29	34	37	21	5	8
BBE24XM	24	55	38	39	44	42	26	5	12
BBE25XM	25	55	38	39	44	42	26	5	12
BBE30XM	30	60	45	48	53	47	31,5	5	16
BBE32XM	32	60	45	48	53	47	31,5	5	16
BBE40XM	40	67	54	58	63	54	36,5	8	19
BBE42XM	42	67	54	58	63	54	36,5	8	19
BBE50XM	50	75	65	74	79	62	44,5	8	19
BBE52XM	52	75	65	74	79	62	44,5	8	19
BBE63XM	63	90	81	87	92	77	51	8	19

TULEJE PROWADZĄCE BRĄZOWE

GUIDE BUSHES WITH SHOULDER, BRONZE

Materiał / Material

BRĄZ / BRONZE

Jak zamówić / How to orderSymbol: **BBE50L**Inne wymiary na żądanie
Other dimensions on demandZaczepty i śruby str. 285
Retaining clamps and screws page 285

TYP M									
Symbol	D1	L	D2	D3	D4	L1	R	M	
BBE18M	18	50	28	31	34	18	21	M6X1	
BBE19M	19	50	28	31	34	18	21	M6X1	
BBE24M	24	55	38	41	44	23	26	M10X1	
BBE25M	25	55	38	41	44	23	26	M10X1	
BBE30M	30	60	45	50	53	26	31,5	M10X1	
BBE32M	32	60	45	50	53	26	31,5	M10X1	
BBE40M	40	67	54	60	63	30	36,5	M10X1	
BBE42M	42	67	54	60	63	30	36,5	M10X1	
BBE50M	50	75	65	76	79	35	44,5	M10X1	
BBE52M	52	75	65	76	79	35	44,5	M10X1	
BBE63M	63	90	81	89	92	48	51	M10X1	
BBE80M	80	100	100	108	111	48	60,5	M10X1	

TYP L									
Symbol	D1	L	D2	D3	D4	L1	R	M	
BBE18L	18	70	28	31	34	18	21	M6X1	
BBE19L	19	70	28	31	34	18	21	M6X1	
BBE24L	24	80	38	41	44	23	26	M10X1	
BBE25L	25	80	38	41	44	23	26	M10X1	
BBE30L	30	90	45	50	53	26	31,5	M10X1	
BBE32L	32	90	45	50	53	26	31,5	M10X1	
BBE40L	40	100	54	60	63	30	36,5	M10X1	
BBE42L	42	100	54	60	63	30	36,5	M10X1	
BBE50L	50	110	65	76	79	35	44,5	M10X1	
BBE52L	52	110	65	76	79	35	44,5	M10X1	
BBE63L	63	130	81	89	92	48	51	M10X1	
BBE80L	80	150	100	108	111	48	60,5	M10X1	

TYP XL									
Symbol	D1	L	D2	D3	D4	L1	R	M	
BBE18XL	18	70	28	31	34	27	21	M6X1	
BBE19XL	19	70	28	31	34	27	21	M6X1	
BBE24XL	24	80	38	41	44	32	26	M10X1	
BBE25XL	25	80	38	41	44	32	26	M10X1	
BBE30XL	30	90	45	50	53	37	31,5	M10X1	
BBE32XL	32	90	45	50	53	37	31,5	M10X1	
BBE40XL	40	100	54	60	63	47	36,5	M10X1	
BBE42XL	42	100	54	60	63	47	36,5	M10X1	
BBE50XL	50	110	65	76	79	57	44,5	M10X1	
BBE52XL	52	110	65	76	79	57	44,5	M10X1	
BBE63XL	63	130	81	89	92	67	51	M10X1	
BBE80XL	80	150	100	108	111	77	60,5	M10X1	