

TULEJE PROWADZĄCE SAMOSMARUJĄCE

SELF-LUBRICATING GUIDE BUSHES

BC05

Materiał / Material

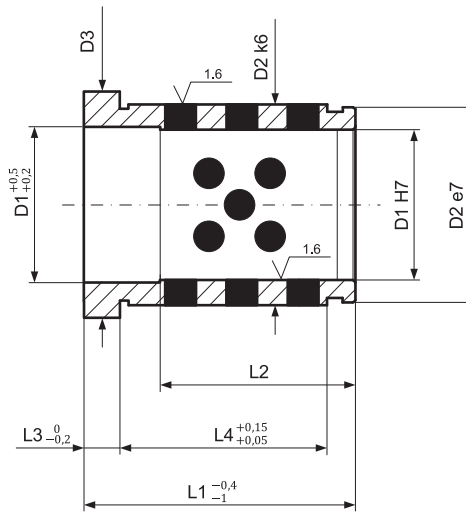
BRAZ + GRAFIT
BRONZE + GRAPHITE
HB > 190

Jak zamówić / How to order

Symbol: **BG05.020036**

Inne wymiary na żądanie
Other dimensions on demand

Zaczepty i śruby str. 285
Retaining clamps and screws page 285



Symbol	D1	Symbol	D1	L1	D2	D3	L2	L3	L4
BG05.009012		BG05.010012		12					5.5
BG05.009017		BG05.010017		17					10.5
BG05.009022		BG05.010022		22					15.5
BG05.009027	9	BG05.010027	10	27	14	16		3	20.5
BG05.009036		BG05.010036		36					29.5
BG05.009046		BG05.010046		46				24	39.5
BG05.009056		BG05.010056		56					49.5
BG05.012017				17					7
BG05.012022				22					12
BG05.012027				27					17
BG05.012036	12			36	18	23		6	26
BG05.012046				46				24	36
BG05.012056				56					46
BG05.014017		BG05.015017		17					7
BG05.014022		BG05.015022		22					12
BG05.014027		BG05.015027		27					17
BG05.014036	14	BG05.015036	15	36	20	25		6	26
BG05.014046		BG05.015046		46					36
BG05.014056		BG05.015056		56				30	46
BG05.016017				17					7
BG05.016022				22					12
BG05.016027				27					17
BG05.016036	16			36	22	27		6	26
BG05.016046				46					36
BG05.016056				56				32	46
BG05.018017		BG05.020017		17					7
BG05.018022		BG05.020022		22					12
BG05.018027		BG05.020027		27					17
BG05.018036		BG05.020036		36					26
BG05.018046	18	BG05.020046	20	46	26	31		6	36
BG05.018056		BG05.020056		56					46
BG05.018066		BG05.020066		66				40	56
BG05.018076		BG05.020076		76					66

Symbol	D1	Symbol	D1	L1	D2	D3	L2	L3	L4
BG05.022022		BG05.024022		22					11
BG05.022027		BG05.024027		27					16
BG05.022036		BG05.024036		36					25
BG05.022046		BG05.024046		46					35
BG05.022056	22	BG05.024056	24	56	30	35		6	45
BG05.022066		BG05.024066		66					55
BG05.022076		BG05.024076		76				48	65
BG05.022086		BG05.024086		86					75
BG05.022096		BG05.024096		96					85
BG05.030027		BG05.032027		27					14
BG05.030036		BG05.032036		36					23
BG05.030046		BG05.032046		46					33
BG05.030056		BG05.032056		56					43
BG05.030066	30	BG05.032066	32	66	42	47		6	53
BG05.030076		BG05.032076		76					63
BG05.030086		BG05.032086		86				64	73
BG05.030096		BG05.032096		96					83
BG05.030116		BG05.032116		116					103
BG05.040036		BG05.042036		36					18
BG05.040046		BG05.042046		46					28
BG05.040056		BG05.042056		56					38
BG05.040066		BG05.042066		66					48
BG05.040076		BG05.042076		76					58
BG05.040086		BG05.042086		86					68
BG05.040096		BG05.042096		96					78
BG05.040116	40	BG05.042116	42	116	54	59		10	98
BG05.040136		BG05.042136		136					118
BG05.040156		BG05.042156		156					138
BG05.040176		BG05.042176		176				84	158
BG05.040196		BG05.042196		196					178
BG05.040216		BG05.042216		216					198
BG05.040236		BG05.042236		236					218
BG05.040256		BG05.042256		256					238

Elementy prowadzące do tloczników