

TULEJE PROWADZĄCE SAMOSMARUJĄCE

SELF-LUBRICATING GUIDE BUSHES

BC07

Material / Material

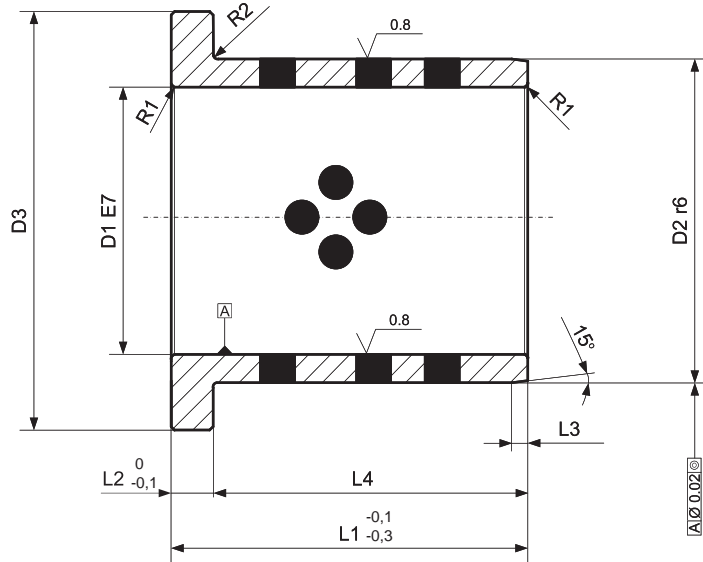
BRAZ + GRAFIT
BRONZE + GRAPHITE
HB > 190

Jak zamówić / How to order

Symbol: **BG07.040040**

Inne wymiary na żądanie
Other dimensions on demand

Zaczepty i śruby str. 285
Retaining clamps and screws page 285



Symbol	D1	D2	D3	L1	L2	L3	L4	R1	R2
BG07.010015	10	14	22	15	2	2	13	1	0.4
BG07.010020				20			18		
BG07.012015	12	18	25	15	3	2	12	1	0.4
BG07.012020				20			17		
BG07.013015	13	19	26	15	3	2	12	1	0.4
BG07.013020				20			17		
BG07.014015	14	20	27	15	3	2	12	1	0.4
BG07.014020				20			17		
BG07.015015				15			12		
BG07.015020				20			17		
BG07.015025	15	21	28	25	3	2	22	1	0.5
BG07.015030				30			27		
BG07.016015				15			12		
BG07.016020				20			17		
BG07.016025	16	22	29	25	3	2	22	1	0.5
BG07.016030				30			27		
BG07.020015				15			10		
BG07.020020				20			15		
BG07.020025	20	30	40	25	5	3	20	2	0.5
BG07.020030				30			25		
BG07.020040				40			35		
BG07.025015				15			10		
BG07.025020				20			15		
BG07.025025	25	35	45	25	5	3	20	2	0.5
BG07.025030				30			25		
BG07.025040				40			35		
BG07.030020				20			15		
BG07.030025				25			20		
BG07.030030	30	40	50	30	5	3	25	2	0.5
BG07.030035				35			30		
BG07.030040				40			35		
BG07.030050				50			45		
BG07.031020	31,5	40	50	20	5	3	15	2	0.6
BG07.031035				35			30		

Symbol	D1	D2	D3	L1	L2	L3	L4	R1	R2
BG07.035020				20			15		
BG07.035030				30			25		
BG07.035040	35	45	60	40	5	3	35	2	0.6
BG07.035050				50			45		
BG07.040020				20			15		
BG07.040030				30			25		
BG07.040040	40	50	65	40	5	3	35	2	0.6
BG07.040050				50			45		
BG07.045030				30			25		
BG07.045040				40			35		
BG07.045050	45	55	70	50	5	3	45	2	0.6
BG07.045060				60			55		
BG07.050030				30			25		
BG07.050040				40			35		
BG07.050050	50	60	75	50	5	3	45	2	0.6
BG07.050060				60			55		
BG07.055040				40			35		
BG07.055060	55	65	80	60	5	3	55	2	0.7
BG07.060040				40			32,5		
BG07.060050	60	75	90	50	7,5	4	42,5	3	0.7
BG07.060080				80			72,5		
BG07.063067	63	75	85	67,5	7,5	4	60	3	0.7
BG07.070050				50			42,5		
BG07.070080	70	85	105	80	7,5	4	72,5	3	0.7
BG07.075060	75	90	110	60	7,5	4	52,5	3	0.7
BG07.080060				60			50		
BG07.080080	80	100	120	80	10	4	70	3	0.8
BG07.080100				100			90		
BG07.090060				60			50		
BG07.090080	90	110	130	80	10	4	70	3	0.8
BG07.100080				80			70		
BG07.100100	100	120	150	100	10	4	90	3	0.8
BG07.120080				80			70		
BG07.120100	120	140	170	100	10	4	90	3	0.8

Elementy prowadzące do tłoczników