

PŁYTKI PROWADZĄCE SAMOSMARUJĄCE

SELF-LUBRICATING WEAR PLATES

VDI 3357

PG06

Materiał / Material

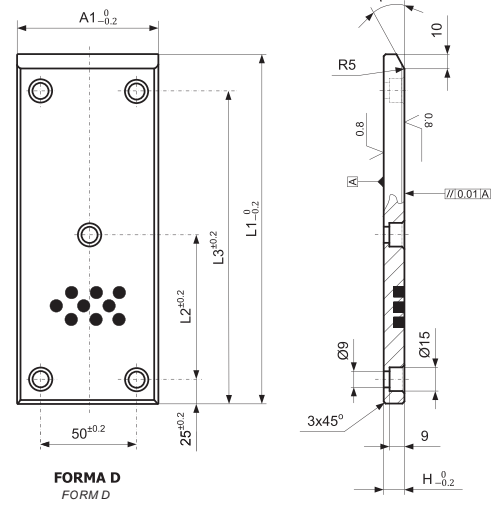
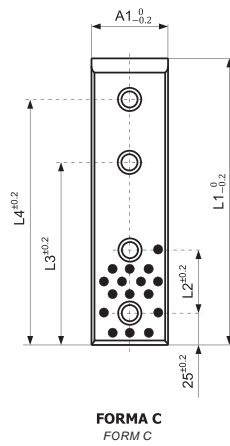
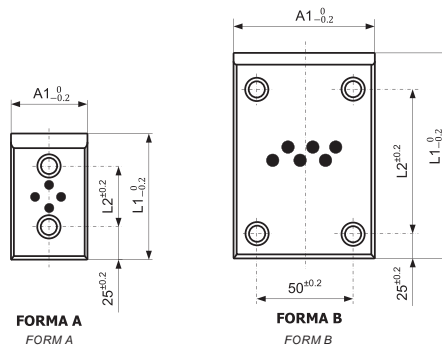
BRAZ + GRAFIT
BRONZE + GRAPHITE
HB > 190

Jak zamówić / How to order

Symbol: PG06.060125

Inne wymiary na żądanie
Other dimensions on demand

Śruby V8 str. 445
Screws V8 page 445



Symbol	A1	H	L1	L2	L3	L4	FORMA FORM
PG06.030080	30	12	80	30	-	-	A
PG06.030100		12	100	50	-	-	A
PG06.030125		12	125	75	-	-	A
PG06.030160		12	160	110	-	-	A
PG06.030200		12	200	150	-	-	A
PG06.040080	40	12	80	30	-	-	A
PG06.040100		12	100	50	-	-	A
PG06.040125		12	125	75	-	-	A
PG06.040160		12	160	110	-	-	A
PG06.040200		12	200	150	-	-	A
PG06.050080	50	12	80	30	-	-	A
PG06.050100		12	100	50	-	-	A
PG06.050125		12	125	75	-	-	A
PG06.050160		12	160	110	-	-	A
PG06.050200		12	200	150	-	-	A
PG06.050250		12	250	60	165	225	C
PG06.050300		12	300	80	195	275	C

Symbol	A1	H	L1	L2	L3	L4	FORMA FORM
PG06.050350	50	12	350	100	225	325	C
PG06.050400		12	400	120	255	375	C
PG06.060080	60	12	80	30	-	-	A
PG06.060100		12	100	50	-	-	A
PG06.060125		12	125	75	-	-	A
PG06.060160		12	160	110	-	-	A
PG06.060200		12	200	150	-	-	A
PG06.080080	80	12	80	30	-	-	A
PG06.080100		12	100	50	-	-	A
PG06.080125		12	125	75	-	-	A
PG06.080160		12	160	110	-	-	A
PG06.080200	100	12	200	150	-	-	A
PG06.100125		12	125	75	-	-	B
PG06.100160		12	160	110	-	-	B
PG06.100200		12	200	150	-	-	B
PG06.100250		12	250	200	-	-	B
PG06.100300		12	300	125	275	-	D

Elementy prowadzące do tłoczników