

PŁYTKI PROWADZĄCE STALOWE

STEEL WEAR PLATES

VDI 3357

PG07

Materiał / Material

16MnCr5

Twardość / Hardness

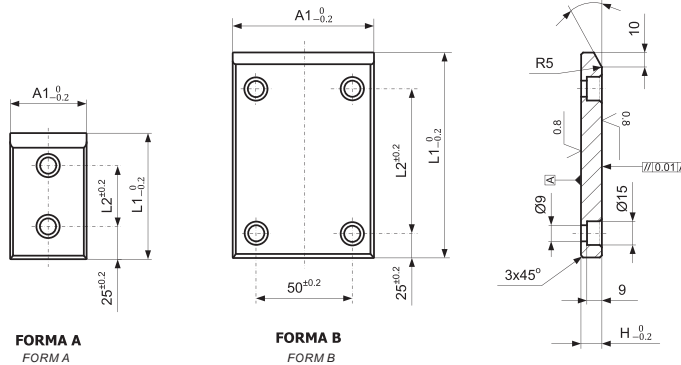
58 ÷ 60 HRC

Jak zamówić / How to order

Symbol: PG07.060100

Inne wymiary na żądanie
Other dimensions on demand

Śruby V8 str. 445
Screws V8 page 445



Elementy prowadzące do tłoczników

Symbol	A1	H	L1	L2	FORMA FORM
PG07.030080	30	12	80	30	A
PG07.030100		12	100	50	A
PG07.030125		12	125	75	A
PG07.030160		12	160	110	A
PG07.030200		12	200	150	A
PG07.040080	40	12	80	30	A
PG07.040100		12	100	50	A
PG07.040125		12	125	75	A
PG07.040160		12	160	110	A
PG07.040200		12	200	150	A
PG07.050080	50	12	80	30	A
PG07.050100		12	100	50	A
PG07.050125		12	125	75	A
PG07.050160		12	160	110	A
PG07.050180		12	180	130	A
PG07.050200	12	200	150	A	
PG07.060080	60	12	80	30	A
PG07.060100		12	100	50	A
PG07.060125		12	125	75	A
PG07.060160		12	160	110	A
PG07.060180		12	180	130	A
PG07.060200	12	200	150	A	
PG07.080080	80	12	80	30	A
PG07.080100		12	100	50	A
PG07.080125		12	125	75	A
PG07.080160		12	160	110	A
PG07.080200		12	200	150	A
PG07.100125	100	12	125	75	B
PG07.100160		12	160	110	B
PG07.100200		12	200	150	B
PG07.100225		12	225	175	B
PG07.100250		12	250	200	B