

PŁYTKI PROWADZĄCE SAMOSMARUJĄCE

SELF-LUBRICATING WEAR PLATES

PG10

Materiał / Material

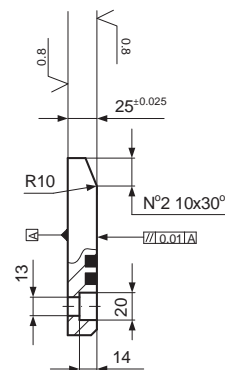
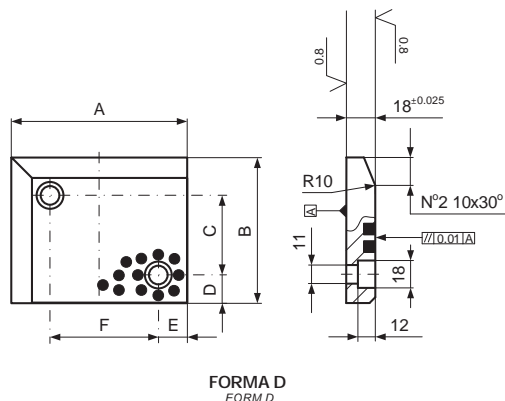
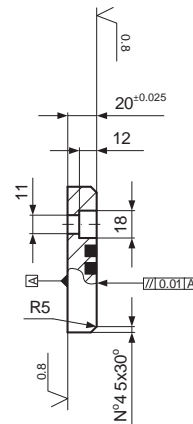
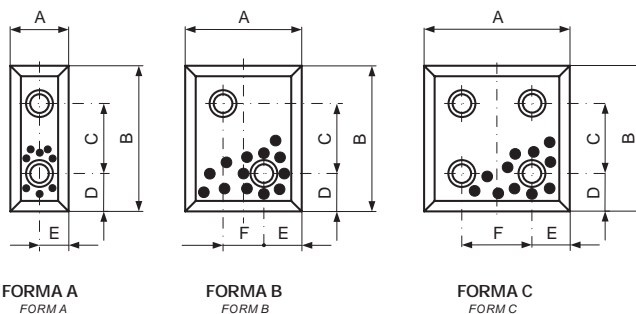
BRAZ + GRAFIT
BRONZE + GRAPHITE
HB > 190

Jak zamówić / How to order

Symbol: **PG10.075100**

Inne wymiary na żądanie
Other dimensions on demand

Śruby V8 str. 445
Screws V8 page 445



Elementy prowadzące do tłoczników

Symbol	A	B	C	D	E	F	FORMA FORM	Symbol	A	B	C	D	E	F	FORMA FORM
PG10.028075	28	75	45	15	14	-	A	PG10.100075	100	75	35	15	15	60	D
PG10.028100	28	100	50	25	14	-	A	PG10.100100	100	100	50	25	25	50	C
PG10.028125	28	125	75	25	14	-	A	PG10.100125	100	125	75	25	25	50	C
PG10.028150	28	150	100	25	14	-	A	PG10.100150	100	150	100	25	25	50	C
PG10.038075	38	75	45	15	19	-	A	PG10.100200	100	200	150	25	25	50	C
PG10.038100	38	100	50	25	19	-	A	PG10.100250	100	250	200	25	25	50	C
PG10.038125	38	125	75	25	19	-	A	PG10.100300	100	300	250	25	25	50	C
PG10.038150	38	150	100	25	19	-	A	PG10.125100	125	100	48	20	20	73	E
PG10.038200	38	200	150	25	19	-	A	PG10.125125	125	125	75	25	37.5	50	C
PG10.048075	48	75	45	15	24	-	A	PG10.125150	125	150	100	25	37.5	50	C
PG10.048100	48	100	50	25	24	-	A	PG10.125200	125	200	150	25	37.5	50	C
PG10.048125	48	125	75	25	24	-	A	PG10.125250	125	250	200	25	37.5	50	C
PG10.048150	48	150	100	25	24	-	A	PG10.125300	125	300	250	25	37.5	50	C
PG10.048200	48	200	150	25	24	-	A	PG10.125350	125	350	300	25	37.5	50	C
PG10.058075	58	75	45	15	29	-	A	PG10.150125	150	125	68	25	25	93	E
PG10.058100	58	100	50	25	29	-	A	PG10.150150	150	150	100	25	25	100	C
PG10.058150	58	150	100	25	29	-	A	PG10.150200	150	200	150	25	25	100	C
PG10.075075	75	75	25	25	25	25	B	PG10.150250	150	250	200	25	25	100	C
PG10.075100	75	100	50	25	25	25	B	PG10.150300	150	300	250	25	25	100	C
PG10.075125	75	125	75	25	37.5	-	A	PG10.200200	200	200	150	25	25	150	C
PG10.075150	75	150	100	25	37.5	-	A	PG10.200250	200	250	200	25	25	150	C
PG10.075200	75	200	150	25	37.5	-	A	PG10.200300	200	300	250	25	25	150	C