

# FL 12~25



This series includes the models compliant with automotive standards /  
Questa serie include i modelli conformi agli standard automotive

<b>BMW</b>	B2 4009	<b>MB</b>	B8 0134 400 008 801
<b>FCA</b>	075.90.75	<b>PSA</b>	E24.54.815.G
<b>Ford</b>	W-DX35-80M	<b>VW</b>	39D 848

Collar flange / Flangia a collare

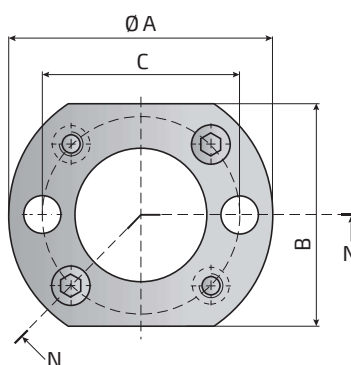
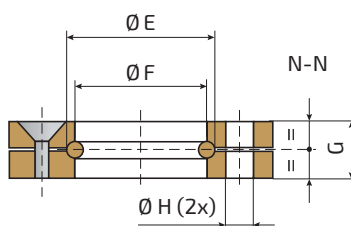


FIG. 1

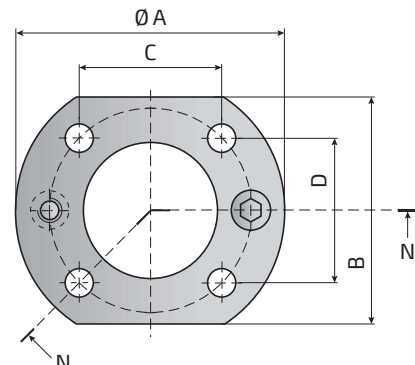
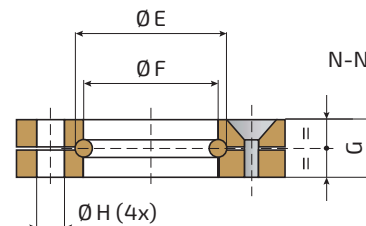
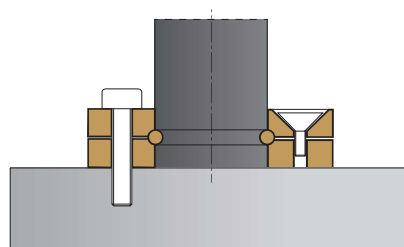
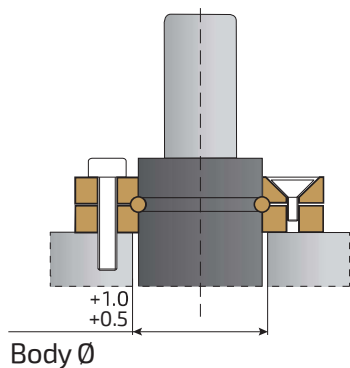


FIG. 2

Model Modello	Reference to Standards Norme di riferimento	For models... Per modelli...	Ø A mm	B mm	C mm	D mm	Ø E mm	Ø F mm	G mm	Ø H mm	FIG.
FL 12	-	VGS50	34	21	24	-	13.6	12.5	9	6.6	1
15	-	VGS70	37	24	27	-	16.6	15.5	9	6.6	1
19 A	VDI 3003	AGS170, VGS90, VV170	44	25	32	-	21	19.5	9	6.6	1
19 B	ISO 11901-2	AGS170, VGS90, VV170	44	25	30	12	21	19.5	9	6.6	2
25 A	VDI 3003	AGS320, TGS400, VGS200, VV320-63/63H	50	30	38	-	27	25.5	9	6.6	1
25 B	ISO 11901-2	AGS320, TGS400, VGS200, VV320-63/63H	50	30	34	18	27	25.5	9	6.6	2

Fixing possibilities / Fissaggi possibili



(For VGS200 and TGS400 models only)  
(Solo per i modelli VGS200 e TGS400)

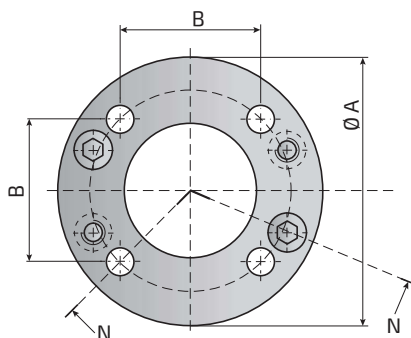
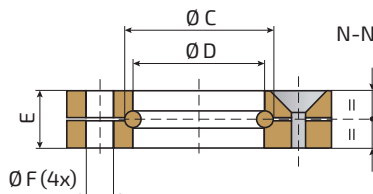
# FL 32~195



This series includes the models compliant with automotive standards /  
Questa serie include i modelli conformi agli standard automotive

<b>BMW</b>	BZ 4009	<b>MB</b>	B8 0134 300 000 001
<b>FCA</b>	075.90.80	<b>Renault</b>	EM24.54.700
<b>General Motors</b>	90.25.03		

Collar flange / Flangia a collare



Model Modello	Reference to Standards Norme di riferimento	For models... Per modelli...	Ø A mm	B mm	Ø C mm	Ø D mm	E mm	Ø F mm
FL 32	ISO 11901-2, VDI 3003	AGS350, IGS150, TGS700	60	35	34	32.5	9	6.6
38	ISO 11901-2, VDI 3003	AGS500, IGS250, TGS1000	68	40	40	38.5	9	6.6
45	ISO 11901-2, VDI 3003	AGS750, IGS500, LGS500	86	50	47	45.5	13	9
50	ISO 11901-2, VDI 3003	AGS1000, IGS750	95	56.5	54	50.5	13	9
63	ISO 11901-2	AGS1500, TGS3000	122	73.5	67	63.5	16	11
75	ISO 11901-2, VDI 3003	AGS2400, IGS1500, VV2385	122	73.5	80	75.5	16	11
95	ISO 11901-2, VDI 3003	AGS4200, IGS3000	150	92	100	95.5	18	13.5
120	ISO 11901-2, VDI 3003	AGS6600, IGS5000, TGS12000	175	109.5	125	120.5	21	13.5
150	ISO 11901-2, VDI 3003	AGS9500, IGS7500	220	138	155	150.5	27	17.5
195	ISO 11901-2, VDI 3003	AGS20000, IGS10000	290	170	200	195.5	27	17.5

Fixing possibilities / Fissaggi possibili

