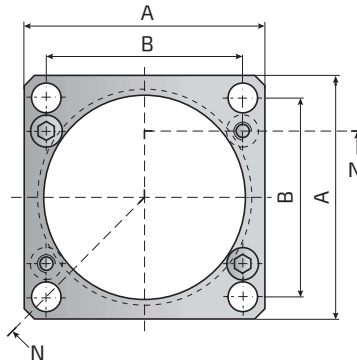
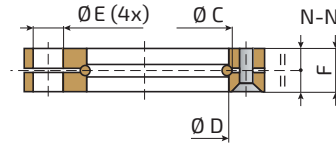


Collar flange / Flangia a collare



Model Modello	Reference to Standards Norme di riferimento	For models... Per modelli...	A mm	B mm	$\varnothing C$ mm	$\varnothing D$ mm	$\varnothing E$ mm	F mm
FLQA 50	-	TGS2000	70	56.5	53	50.5	9	13
75	-	TGS5000	90	73.5	78	75.5	11	16
95	-	TGS8000	110	92	98	95.5	13.5	18

Fixing possibilities / Fissaggi possibili

