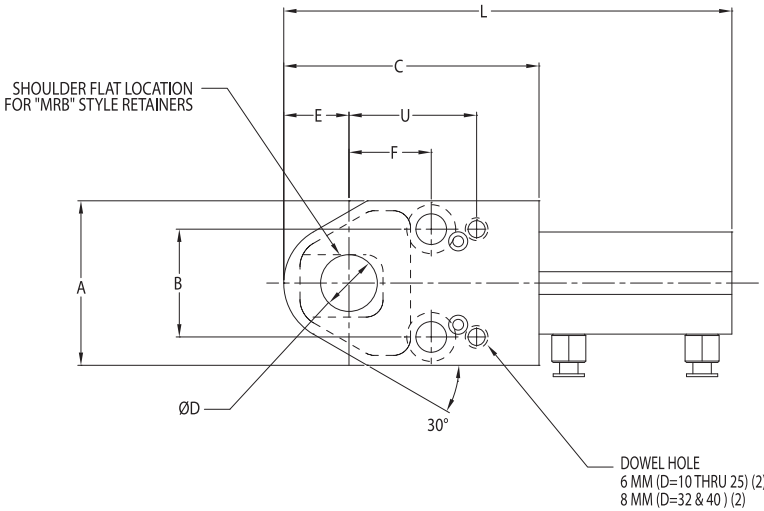


RETRACTABLE RETAINERS



SHOULDER STYLE



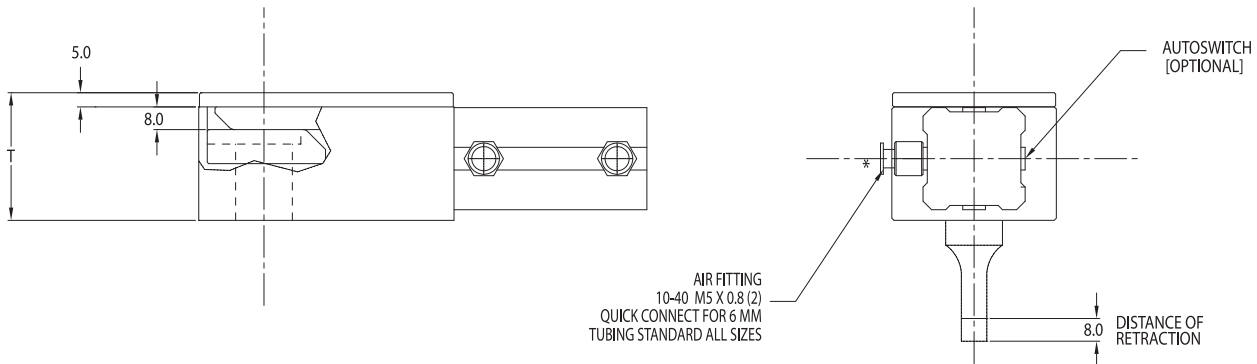
Moeller shoulder retractable retainers provide the capability to add, or subtract, holes quickly without affecting demanding production schedules, and without the added cost of additional tooling. Moeller shoulder retractable retainers feature a strong and convenient one-piece body, eliminating the need for a separate safety shield.

RECOMMENDED AIR PRESSURE:
4.60-5.3 kgf/cm² (65-75 PSI)

MINIMUM PRESSURE:
3.2 kgf/cm² (45 PSI)

MAXIMUM PRESSURE:
10.2 kgf/cm² (145 PSI)

NOTE:
CHANGE RETAINER SET INCLUDES ALL NECESSARY SCREWS AND DOWELS, AIR CYLINDER AND FITTINGS. TUBING FOR AIR SUPPLY AND AUTOSWITCH ARE NOT INCLUDED AND MUST BE ORDERED SEPARATELY. CONSULT FACTORY FOR ADDITIONAL ACCESSORIES.



OKRĄGLY NUMER KATALOGOWY	KSZTAŁTOWY NUMER KATALOGOWY	D	L	A	±.01 B	C	E	F	T	±.01 U	SCREW SIZE
MRC 10	MRB 10	10	128	46	30	73	18	25	45	41	M8
MRC 13	MRB 13	13	128	49	30	73	18	25	45	41	M10
MRC 16	MRB 16	16	128	49	30	73	18	25	45	41	M10
MRC 20	MRB 20	20	155	58	38	90	23	29	45	45	M10
MRC 25	MRB 25	25	155	58	38	90	23	29	45	45	M10
MRC 32	MRB 32	32	208	80	56	125	33	38	55	60	M12
MRC 40	MRB 40	40	208	80	56	125	33	38	55	60	M12

ORDERING EXAMPLE: MRC 13 (FOR ROUND POINT PUNCH)
ORDERING EXAMPLE: MRB 13 (FOR SHAPED POINT PUNCHES – PLEASE NOTE FLAT LOCATION WHEN ORDERING PUNCHES)