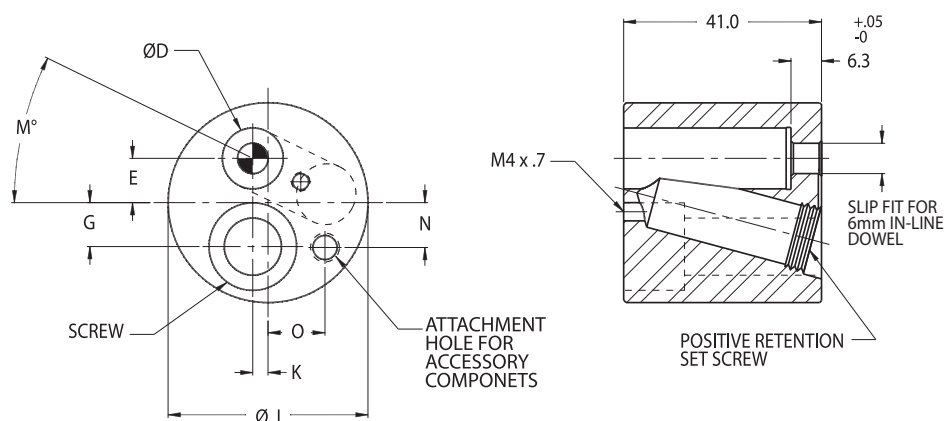




OPRAWKI BALL LOCK



ECONOMY ROUND TRUE SET HEAVY DUTY



Manufactured under US Patent 8,459,161 B2
European Patent EP 2004368

FOR ACCESSORIES AND SHIM PLATES SEE PAGE 60-61.

Kompletne projekty oraz pliki CAD odwiedź WWW.MOELLERMCAD.COM

NUMER KATALOGOWY	ØD	ØL	E	G	K	M	N	O	SCREW SIZE	IN-LINE DOWEL	ATTACHMENT HOLE
MRR 10	10.00	38.1	9.86	7.10	2.65	20.5°	4.47	12.72	M12	6	M6 x 1.0
MRR 13	13.00	41.3	9.25	9.17	3.18	26°	9.35	11.88	M12	6	M6 x 1.0
MRR 16	16.00	44.5	9.10	11.07	1.93	33.5°	10.21	13.16	M12	6	M6 x 1.0
MRR 20	20.00	57.2	12.20	14.30	0	30°	9.35	19.40	M16	6	M8 x 1.25
MRR 25	25.00	63.5	12.51	17.50	0	30°	14.27	20.17	M16	6	M8 x 1.25
MRR 32	32.00	76.2	15.67	20.83	0	30°	15.46	26.12	M20	6	M8 x 1.25
MRR 40	40.00	82.6	15.39	23.55	0	30°	15.46	26.12	M20	6	M8 x 1.25