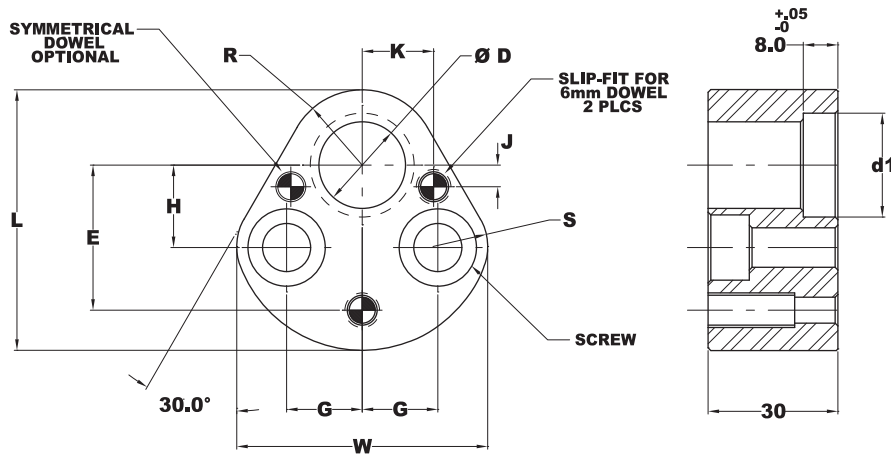


XMRN STYLE

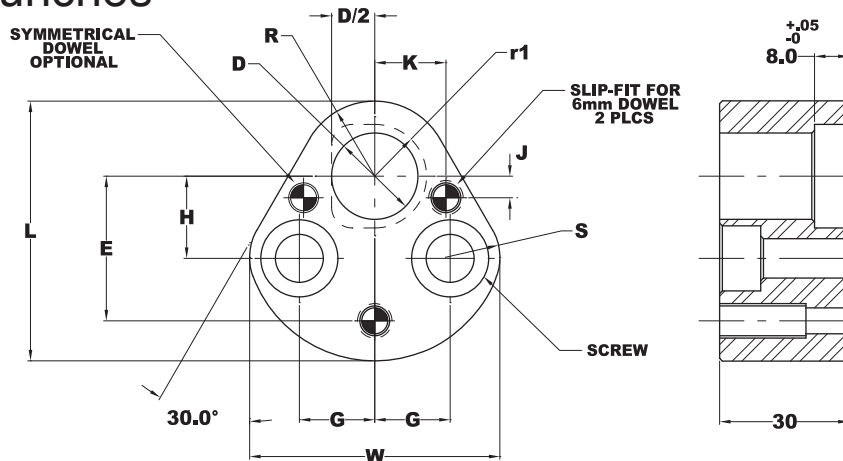
For Round Punches



NUMER CZĘŚCI	D	d1	L	W	R	H	± .01 J	± .01 K	S	G	± .01 E	SCREW SIZE
XMRN 010	10.00	15.5	44.5	39.9	9.5	19.05	7.5	9.0	12.0	11.12	26.924	M8
XMRN 013	13.00	18.5	50.8	48.3	12.7	19.05	6.5	12.0	15.2	14.27	29.972	M8
XMRN 016	16.00	21.5	54.0	51.6	14.3	19.05	6.0	13.5	16.8	15.87	31.750	M8
XMRN 020	20.00	25.5	60.3	58.2	17.5	19.05	5.0	16.5	20.0	17.47	33.528	M10
XMRN 025	25.00	30.5	69.9	66.5	22.2	23.82	7.0	22.0	24.7	19.84	40.640	M12

XMRO STYLE

For Shaped Punches



NUMER CZĘŚCI	D	r1	L	W	R	H	± .01 J	± .01 K	S	G	± .01 E	SCREW SIZE
XMRO 010	10.00	7.75	44.5	39.9	9.5	19.05	7.5	9.0	12.0	11.12	26.924	M8
XMRO 013	13.00	9.25	50.8	48.3	12.7	19.05	6.5	12.0	15.2	14.27	29.972	M8
XMRO 016	16.00	10.75	54.0	51.6	14.3	19.05	6.0	13.5	16.8	15.87	31.750	M8
XMRO 020	20.00	12.75	60.3	58.2	17.5	19.05	5.0	16.5	20.0	17.47	33.528	M10
XMRO 025	25.00	15.25	69.9	66.5	22.2	23.82	7.0	22.0	24.7	19.84	40.640	M12