

SŁUPY PROWADZĄCE

GUIDE PILLARS

Material / Material

1.7131

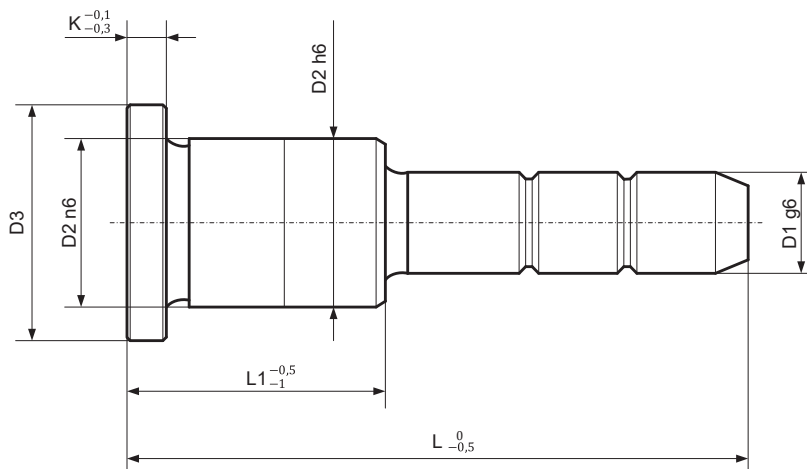
Twardość / Hardness

61 ± 63 HRC

Jak zamówić / How to order

Symbol: C11626100

Inne wymiary na żądanie
Other dimensions on demand



Symbol	D1	L1	L	D2	D3	K					
C1122250	12	22	50	18	22	5					
C1122260			60								
C1122270			70								
C1122280			80								
C1122290			90								
C11222100			100								
C1122650	12	26	50	18	22	5					
C1122660			60								
C1122670			70								
C1122680			80								
C1122690			90								
C11226100			100								
C1123650	12	36	50	18	22	5					
C1123660			60								
C1123670			70								
C1123680			80								
C1123690			90								
C11236100			100								
C11236120			120								
C1124670	12	46	70	18	22	5					
C1124680			80								
C1124690			90								
C11246100			100								
C11246120			120								
C1125690	12	56	90	18	22	5					
C11256100			100								
C11256120			120								
C1142250			14				22	50	20	24	5
C1142260								60			
C1142270	70										
C1142280	80										
C1142290	90										
C11422100			100								
C1142660	14	26	60	20	24	5					
C1142670			70								
C1142680			80								
C1142690			90								
C11426100			100								
C11426120			120								
C1143670	14	36	70	20	24	5					
C1143680			80								
C1143690			90								
C11436100			100								
C11436120			120								

Symbol	D1	L1	L	D2	D3	K
C1144670	14	46	70	20	24	5
C1144680			80			
C1144690			90			
C11446100			100			
C11446120			120			
C1145690	14	56	90	20	24	5
C11456100			100			
C11456120			120			
C1162250	16	22	50	22	26	5
C1162260			60			
C1162270			70			
C1162280			80			
C1162290			90			
C11622100			100			
C11622120			120			
C1162650	16	26	50	22	26	5
C1162660			60			
C1162670			70			
C1162680			80			
C1162690			90			
C11626100			100			
C11626120			120			
C11626140			140			
C1163660	16	36	60	22	26	5
C1163670			70			
C1163680			80			
C1163690			90			
C11636100			100			
C11636120			120			
C11636140			140			
C1164670	16	46	70	22	26	5
C1164680			80			
C1164690			90			
C11646100			100			
C11646120			120			
C11646140			140			
C11646160			160			
C1165680	16	56	80	22	26	5
C1165690			90			
C11656100			100			
C11656120			120			
C11656140			140			
C11656160			160			
C11656180			180			
C11656200			200			

Elementy prowadzące do form wtryskowych

Symbol	D1	L1	L	D2	D3	K					
C11666100	16	66	100	22	26	5					
C11666120			120								
C11666140			140								
C11666160			160								
C11666180			180								
C11666200			200								
C11676100	16	76	100	22	26	5					
C11676120			120								
C11676140			140								
C11676160			160								
C11676180			180								
C11676200			200								
C11696140	16	96	140	22	26	5					
C11696160			160								
C11696180			180								
C11696200			200								
C1182660	18	26	60	26	30	5					
C1182670			70								
C1182680			80								
C1182690			90								
C11826100			100								
C1183660			60				26	30	5		
C1183670	70										
C1183680	80										
C1183690	90										
C11836100	100										
C11836120	120										
C11836140	140	18	46	26	30	5					
C1184670	70										
C1184680	80										
C1184690	90										
C11846100	100										
C11846120	120										
C11846140	140										
C11846160	160	18	56	26	30	5					
C1185680	80										
C1185690	90										
C11856100	100										
C11856120	120										
C11856140	140										
C11856160	160										
C11856180	180	18	66	26	30	5					
C11866100	100										
C11866120	120										
C11866140	140										
C11866160	160										
C11866180	180										
C11876120	120	18	76	26	30	5					
C11876140	140										
C11876160	160										
C11876180	180										
C120282660	20						26	60	28	32	6
C120282670								70			
C120282680		80									
C120282690		90									
C1202826100		100									
C1202826120		120									
C1202826140	140	20	36	28	32	6					
C120283660	60										
C120283670	70										
C120283680	80										
C120283690	90										
C1202836100	100										
C1202836120	120										
C1202836140	140										
C1202836160	160										

Symbol	D1	L1	L	D2	D3	K					
C120284670	20	46	70	28	32	6					
C120284680			80								
C120284690			90								
C1202846100			100								
C1202846120			120								
C1202846140			140								
C1202846160	160	20	56	28	32	6					
C120285680	80										
C120285690	90										
C1202856100	100										
C1202856120	120										
C1202856140	140										
C1202856160	160										
C1202856180	180										
C1202856200	200	20	66	28	32	6					
C1202866100	100										
C1202866120	120										
C1202866140	140										
C1202866160	160										
C1202866180	180										
C1202866200	200	20	76	28	32	6					
C1202876120	120										
C1202876140	140										
C1202876160	160										
C1202876180	180										
C1202876200	200										
C1202886140	140	20	86	28	32	6					
C1202886160	160										
C1202886180	180										
C1202886200	200										
C1202896140	140						20	96	28	32	6
C1202896160	160										
C1202896180	180										
C1202896200	200										
C120302660	60	20	26	30	34	6					
C120302670	70										
C120302680	80										
C120302690	90										
C1203026100	100										
C1203026120	120										
C1203026140	140	20	36	30	34	6					
C120303660	60										
C120303670	70										
C120303680	80										
C120303690	90										
C1203036100	100										
C1203036120	120										
C1203036140	140										
C1203036160	160	20	46	30	34	6					
C120304670	70										
C120304680	80										
C120304690	90										
C1203046100	100										
C1203046120	120										
C1203046140	140										
C1203046160	160	20	56	30	34	6					
C120305680	80										
C120305690	90										
C1203056100	100										
C1203056120	120										
C1203056140	140										
C1203056160	160										
C1203056180	180										
C1203056200	200										

Elementy prowadzące do form wtryskowych

SŁUPY PROWADZĄCE

GUIDE PILLARS

Materiał / Material

1.7131

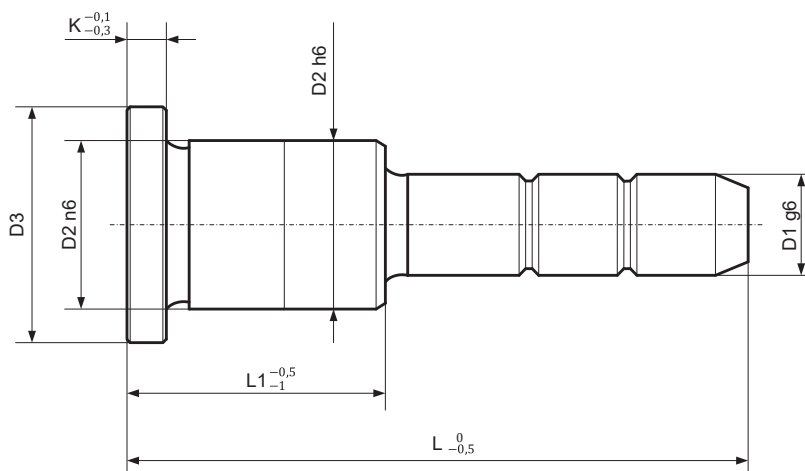
Twardość / Hardness

61 ± 63 HRC

Jak zamówić / How to order

Symbol: C1253446140

Inne wymiary na życzenie
Other dimensions on demand



Symbol	D1	L1	L	D2	D3	K					
C1203066100	20	66	100	30	34	6					
C1203066120			120								
C1203066140			140								
C1203066160			160								
C1203066180			180								
C1203066200			200								
C1203076120	20	76	120	30	34	6					
C1203076140			140								
C1203076160			160								
C1203076180			180								
C1203076200			200								
C1203086140			20				86	140	30	34	6
C1203086160	160										
C1203086180	180										
C1203086200	200										
C1203096140	20	96		140	30	34		6			
C1203096160				160							
C1203096180			180								
C1203096200			200								
C125342680			25	26			80		34	38	7
C125342690							90				
C1253426100	100										
C125343680	25	36			80	34	38	7			
C125343690					90						
C1253436100					100						
C1253436120			120								
C1253436140			140								
C1253436160			160								
C1253436180			180								
C125344690			25	46	90				34	38	7
C1253446100					100						
C1253446120					120						
C1253446140	140										
C1253446160	160										
C1253446180	180										
C1253446200	200										
C1253456100	25	56	100	34	38	7					
C1253456120			120								
C1253456140			140								
C1253456160			160								
C1253456180			180								
C1253456200			200								
C1253456220			220								
C1253456240			240								
C1253466120			25				66	120	34	38	7
C1253466140								140			
C1253466160	160										
C1253466180	180										
C1253466180	180										
C1253466180	180										

Symbol	D1	L1	L	D2	D3	K					
C1253466200	25	66	200	34	38	7					
C1253466220			220								
C1253466240			240								
C1253466260			260								
C1253466280			280								
C1253476120			25				76	120	34	38	7
C1253476140	140										
C1253476160	160										
C1253476180	180										
C1253476200	200										
C1253476220	220										
C1253476240	25	86	240	34	38	7					
C1253476260			260								
C1253476280			280								
C1253486140			25				96	140	34	38	7
C1253486160								160			
C1253486180								180			
C1253486200	200										
C1253486220	220										
C1253486240	240										
C1253486260	260										
C1253486280	280										
C1253496140	25	116		140	34	38		7			
C1253496160				160							
C1253496180			180								
C1253496200			200								
C1253496220			220								
C1253496240			240								
C1253496260	25	26	80	36	40	7					
C1253496280			90								
C1253496280			100								
C125362680			25				36	80	36	40	7
C125362690								90			
C1253626100								100			
C125363680	80										
C125363690	90										
C1253636100	100										
C1253636120	120										
C1253636140	140										
C1253636160	160										
C1253636180	180										

Elementy prowadzące do form wtryskowych

Symbol	D1	L1	L	D2	D3	K
C125364690	25	46	90	36	40	7
C1253646100			100			
C1253646120			120			
C1253646140			140			
C1253646160			160			
C1253646180			180			
C1253646200			200			
C1253656100	25	56	100	36	40	7
C1253656120			120			
C1253656140			140			
C1253656160			160			
C1253656180			180			
C1253656200			200			
C1253656220			220			
C1253656240	240					
C1253666120	25	66	120	36	40	7
C1253666140			140			
C1253666160			160			
C1253666180			180			
C1253666200			200			
C1253666220			220			
C1253666240			240			
C1253666260	260					
C1253666280	280					
C1253676120	25	76	120	36	40	7
C1253676140			140			
C1253676160			160			
C1253676180			180			
C1253676200			200			
C1253676220			220			
C1253676240			240			
C1253676260	260					
C1253676280	280					
C1253686140	25	86	140	36	40	7
C1253686160			160			
C1253686180			180			
C1253686200			200			
C1253686220			220			
C1253686240			240			
C1253686260			260			
C1253686280	280					
C1253696140	25	96	140	36	40	7
C1253696160			160			
C1253696180			180			
C1253696200			200			
C1253696220			220			
C1253696240			240			
C1253696260			260			
C1253696280	280					
C12536116160	25	116	160	36	40	7
C12536116180			180			
C12536116200			200			
C12536116220			220			
C12536116240			240			
C12536116260			260			
C12536116280			280			
C13236100	32	36	100	40	45	7
C13236120			120			
C13246100	32	46	100	40	45	7
C13246120			120			
C13246140			140			
C13246160			160			
C13256100	32	56	100	40	45	7
C13256120			120			
C13256140			140			
C13256160			160			
C13256180			180			
C13256200			200			
C13256220			220			
C13256240	240					

Symbol	D1	L1	L	D2	D3	K					
C13266120	32	66	120	40	45	7					
C13266140			140								
C13266160			160								
C13266180			180								
C13266200			200								
C13266220			220								
C13266240			240								
C13266260	32	76	260	40	45	7					
C13266280			280								
C13276140			140								
C13276160			160								
C13276180			180								
C13276200			200								
C13276220			220								
C13276240	240										
C13276260	32	86	260	40	45	7					
C13276280			280								
C13286160			160								
C13286180			180								
C13286200			200								
C13286220			220								
C13286240			240								
C13286260	32	96	260	40	45	7					
C13286280			280								
C13296160			160								
C13296180			180								
C13296200			200								
C13296220			220								
C13296240			240								
C13296260	32	106	260	40	45	7					
C13296280			280								
C13296300			300								
C13296340			340								
C132106160			32				116	160	40	45	7
C132106180								180			
C132106200								200			
C132106220	220										
C132106240	240										
C132106260	260										
C132106280	280										
C132106300	32	126	300	40	45	7					
C132106340			340								
C132116160			160								
C132116180			180								
C132116200			200								
C132116220			220								
C132116240			240								
C132116260	32	146	260	40	45	7					
C132116280			280								
C132116300			300								
C132116340			340								
C132116400			400								
C132126180			32				166	180	40	45	7
C132126200								200			
C132126220	220										
C132126240	240										
C132126260	260										
C132126280	280										
C132126300	300										
C132126340	32	186	340	40	45	7					
C132126400			400								
C132146200			200								
C132146220			220								
C132146240			240								
C132146260			260								
C132146280			280								
C132146300	32	206	300	40	45	7					
C132146340			340								
C132146400			400								
C132146400			400								

SŁUPY PROWADZĄCE

GUIDE PILLARS

Materiał / Material

1.7131

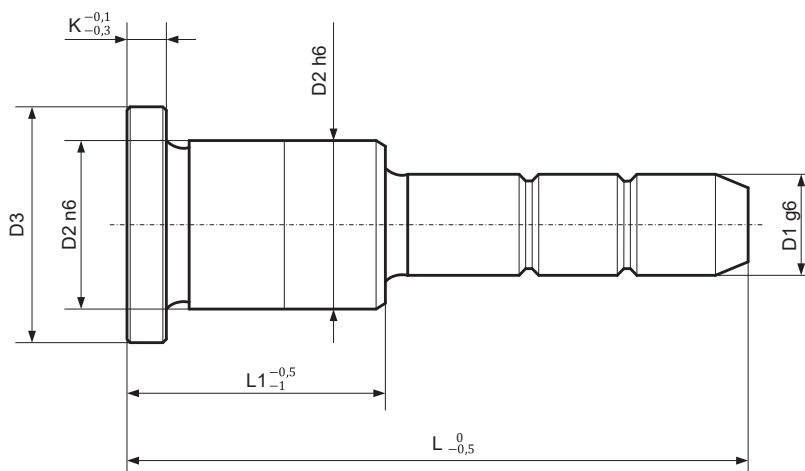
Twardość / Hardness

61 ± 63 HRC

Jak zamówić / How to order

Symbol: C14096340

Inne wymiary na żądanie
Other dimensions on demand



Symbol	D1	L1	L	D2	D3	K
C14046120	40	46	120	48	52	8
C14046140			140			
C14046160			160			
C14046180			180			
C14046200			200			
C14056120	40	56	120	48	52	8
C14056140			140			
C14056160			160			
C14056180			180			
C14056200			200			
C14056220			220			
C14066160	40	66	160	48	52	8
C14066180			180			
C14066200			200			
C14066220			220			
C14066240			240			
C14076160	40	76	160	48	52	8
C14076180			180			
C14076200			200			
C14076220			220			
C14076240			240			
C14076260			260			
C14086160	40	86	160	48	52	8
C14086180			180			
C14086200			200			
C14086220			220			
C14086240			240			
C14086260			260			
C14086280			280			
C14096160	40	96	160	48	52	8
C14096180			180			
C14096200			200			
C14096220			220			
C14096240			240			
C14096260			260			
C14096280			280			
C14096300			300			
C14096340			340			
C140106180	40	106	180	48	52	8
C140106200			200			
C140106220			220			
C140106240			240			
C140106260			260			
C140106280			280			
C140106300			300			
C140106340			340			

Symbol	D1	L1	L	D2	D3	K
C140116180	40	116	180	48	52	8
C140116200			200			
C140116220			220			
C140116240			240			
C140116260			260			
C140116280			280			
C140116300			300			
C140116340			340			
C140116400			400			
C140126180	40	126	180	48	52	8
C140126200			200			
C140126220			220			
C140126240			240			
C140126260			260			
C140126280			280			
C140126300			300			
C140126340			340			
C140126400			400			
C140146240	40	146	240	48	52	8
C140146260			260			
C140146280			280			
C140146300			300			
C140146340			340			
C140146400			400			
C15096180	50	96	180	60	65	10
C15096200			200			
C15096220			220			
C15096240			240			
C15096260			260			
C15096280			280			
C15096300			300			
C15096340			340			
C150126220	50	126	220	60	65	10
C150126240			240			
C150126260			260			
C150126280			280			
C150126300			300			
C150126340			340			
C150126400			400			
C150146240	50	146	240	60	65	10
C150146260			260			
C150146280			280			
C150146300			300			
C150146340			340			
C150146400			400			