

# SŁUPY PROWADZĄCE

## GUIDE PILLARS

**C2**  
STANDARD  
WŁOSKI

Materiał / Material

1.7131

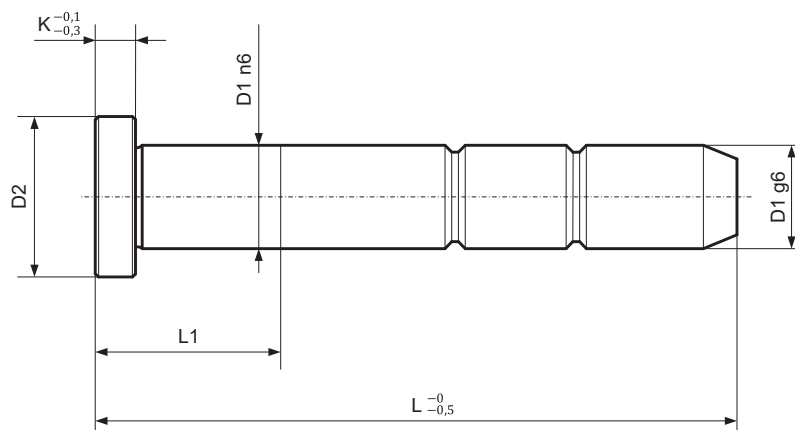
Twardość / Hardness

61 ± 63 HRC

Jak zamówić / How to order

Symbol: C225400

Inne wymiary na żądanie  
Other dimensions on demand



Symbol	D1	L	L1	D2	K
C21250	12	50	13	16	5
C21260		60	13		
C21270		70	13		
C21280		80	20		
C21290		90	20		
C212100		100	25		
C212120		120	25		
C212140		140	25		
C212160		160	25		
C21450		14	50		
C21460	60		13		
C21470	70		13		
C21480	80		20		
C21490	90		20		
C214100	100		25		
C214110	110		25		
C214120	120		25		
C214130	130		25		
C214140	140		25		
C214150	150	25			
C214160	160	25			
C214180	180	30			
C21650	16	50	13	20	5
C21660		60	13		
C21670		70	13		
C21680		80	20		
C21690		90	20		
C216100		100	25		
C216110		110	25		
C216120		120	25		
C216130		130	25		
C216140		140	25		
C216150	150	25			
C216160	160	25			
C216180	180	30			
C216200	200	30			
C216220	220	30			
C21850	18	50	13	22	5
C21860		60	13		
C21870		70	13		
C21880		80	20		
C21890		90	20		
C218100		100	25		
C218110		110	25		
C218120		120	25		
C218130		130	25		
C218140		140	25		

Symbol	D1	L	L1	D2	K
C218150	18	150	25	22	5
C218160		160	25		
C218180		180	30		
C218200		200	30		
C218220		220	30		
C22060	20	60	14	24	6
C22070		70	14		
C22080		80	21		
C22090		90	21		
C220100		100	26		
C220110		110	26		
C220120		120	26		
C220130		130	26		
C220140		140	26		
C220150		150	26		
C220160	160	26			
C220180	180	31			
C220200	200	31			
C220220	220	31			
C220240	240	41			
C220260	260	41			
C220280	280	41			
C220300	300	51			
C22580	25	80	22	30	7
C22590		90	22		
C225100		100	27		
C225120		120	27		
C225140		140	27		
C225160		160	27		
C225180		180	32		
C225200		200	32		
C225220		220	32		
C225240		240	42		
C225260	260	42			
C225280	280	42			
C225300	300	52			
C225350	350	62			
C225400	400	62			
C232120	32	120	27	37	7
C232140		140	27		
C232160		160	27		
C232180		180	32		
C232200		200	32		
C232220		220	32		
C232240		240	42		
C232260		260	42		
C232280	280	42			

Elementy prowadzące do form wtryskowych

# SŁUPY PROWADZĄCE

## GUIDE PILLARS

**C2**  
STANDARD  
WŁOSKI

Materiał / Material

1.7131

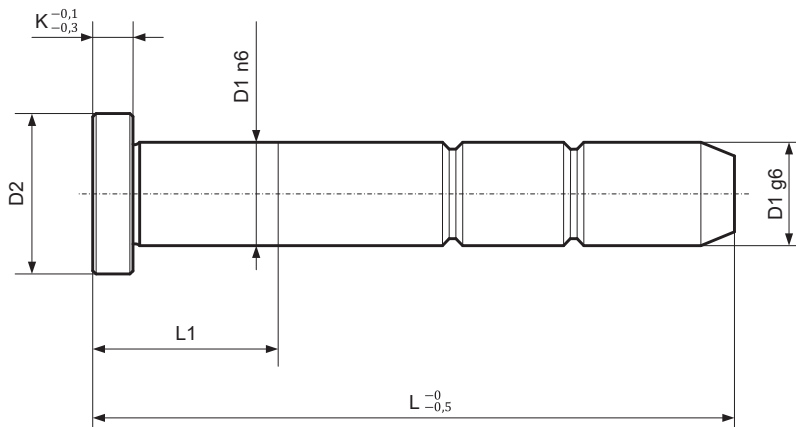
Twardość / Hardness

61 ± 63 HRC

Jak zamówić / How to order

Symbol: C250400

Inne wymiary na żądanie  
Other dimensions on demand



Symbol	D1	L	L1	D2	K
C232300	32	300	52	37	7
C232350		350	62		
C232400		400	62		
C232450		450	72		
C240120	40	120	28	45	8
C240140		140	28		
C240160		160	28		
C240180		180	33		
C240200		200	33		
C240220		220	33		
C240240		240	43		
C240260		260	43		
C240280		280	43		
C240300		300	53		
C240350		350	63		
C240400		400	63		
C240450		450	73		
C240500		500	73		
C250240	50	240	45	55	10
C250260		260	45		
C250280		280	45		
C250300		300	55		
C250350		350	65		
C250400		400	65		
C250450		450	75		
C250500		500	75		
C250600	600	85			
C260350	60	350	67	68	12
C260400		400	67		
C260450		450	77		
C260500		500	77		
C260600		600	87		
C260800	800	87			

Elementy prowadzące do form wtryskowych