

SŁUPY STOŻKOWE Z PODKŁADKĄ I ŚRUBĄ

DEMOUNTABLE CONICAL PILLARS (WITH WASHER AND SCREW)

DIN 9825 / ISO 9182-4

C5A

Materiał / Material

1.7131

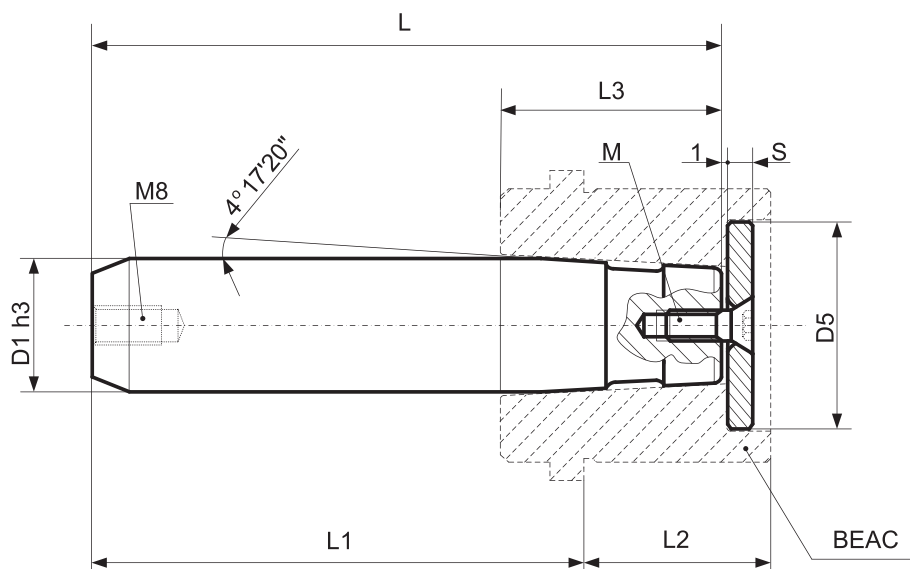
Twardość / Hardness

61 ± 63 HRC

Jak zamówić / How to order

Symbol: C5A32200

Inne wymiary na żądanie
Other dimensions on demand



Elementy prowadzące do tłoczników

Symbol	D1	Symbol	D1	L1	L3	L	M	S	D5
C5A24100	24	C5A25100	25	100	35	123	M8x20	3	25
C5A24112		C5A25112		112		135			
C5A24125		C5A25125		125		148			
C5A24140		C5A25140		140		163			
C5A24160		C5A25160		160		183			
C5A24180		C5A25180		180		203			
C5A24200		C5A25200		200		223			
C5A24224		C5A25224		224		247			
C5A24250		C5A25250		250		273			
C5A30112		30		C5A32112		32			
C5A30125	C5A32125		125	158					
C5A30140	C5A32140		140	173					
C5A30160	C5A32160		160	193					
C5A30180	C5A32180		180	213					
C5A30200	C5A32200		200	233					
C5A30224	C5A32224		224	257					
C5A30250	C5A32250		250	283					
C5A30280	C5A32280		280	313					
C5A38125	38		C5A40125	40	125		48	158	M8x20
C5A38140		C5A40140	140		173				
C5A38160		C5A40160	160		193				
C5A38180		C5A40180	180		213				
C5A38200		C5A40200	200		233				
C5A38224		C5A40224	224		257				
C5A38250		C5A40250	250		283				
C5A38280		C5A40280	280		313				
C5A38315		C5A40315	315		348				