

SŁUPY STOŻKOWE

GUIDE PILLARS WITH TAPER LEAD

C5
STANDARD
WŁOSKI

Materiał / Material

1.7131

Twardość / Hardness

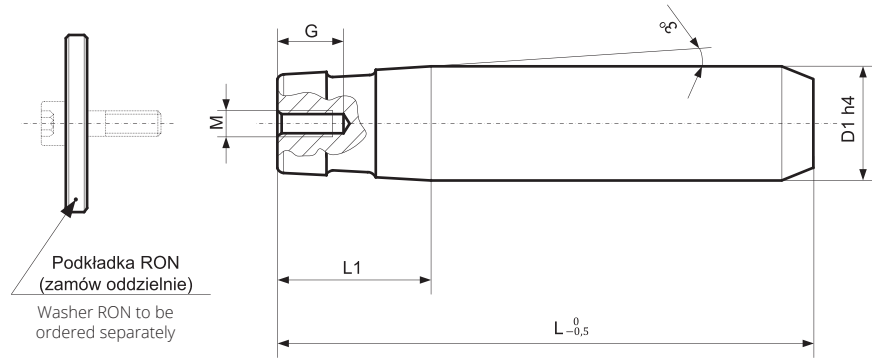
61 + 63 HRC

Jak zamówić / How to order

Słup: C540170
Pillar symbol:

Podkładka: RON43
Washer symbol:

Inne wymiary na żądanie
Other dimensions on demand



Podkładka RON
(zamów oddzielnie)
Washer RON to be
ordered separately

Symbol	D1	L	L1	G	M
C524115	24	115	48	20	8
C524135		135			
C524155		155			
C524170		170			
C524185		185			
C524200	200				
C525115	25	115	48	20	8
C525135		135			
C525155		155			
C525170		170			
C525185		185			
C525200	200				
C530135	30	135	57	20	8
C530155		155			
C530170		170			
C530185		185			
C530200		200			
C530225	225				
C530250	250				
C530300	300				

Symbol	D1	L	L1	G	M
C531135	31	135	57	20	8
C531155		155			
C531170		170			
C531185		185			
C531200		200			
C531225	225				
C531250	250				
C531300	300				
C540170	40	170	63	25	10
C540185		185			
C540200		200			
C540225		225			
C540250		250			
C540300	300				
C540400	400				
C541170	41	170	63	25	10
C541185		185			
C541200		200			
C541225		225			
C541250		250			

Symbol	D1	L	L1	G	M
C541300	41	300	63	25	10
C541400		400			
C550185	50	185	80	25	10
C550200		200			
C550225		225			
C550250		250			
C550300		300			
C550400	400				
C551185	51	185	80	25	10
C551200		200			
C551225		225			
C551250		250			
C551300		300			
C551400	400				
C563200	63	200	86	25	10
C563225		225			
C563250		250			
C563300		300			
C563400		400			

PODKŁADKI POD SŁUP C5

WASHERS FOR PILLARS C5

RON
STANDARD
WŁOSKI

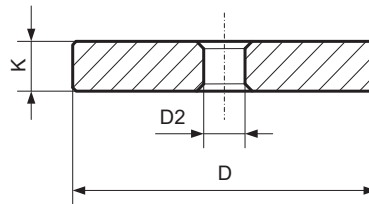
Materiał / Material

1.1730

Jak zamówić / How to order

Symbol: RON43

Inne wymiary na żądanie
Other dimensions on demand



Symbol	D1 (słup / pillar C5)	D	D2	K
RON28	24-25	28	8,7	6
RON36	30-31	36	8,7	6
RON43	40-41	43	10,7	8
RON53	50-51	53	10,7	8
RON70	63	70	10,7	8