

# SŁUPY PROWADZĄCE

## DEMOUNTABLE GUIDE PILLARS

**CE**  
STANDARD  
WŁOSKI

Materiał / Material

STAL / STEEL

Twardość / Hardness

60 + 63 HRC

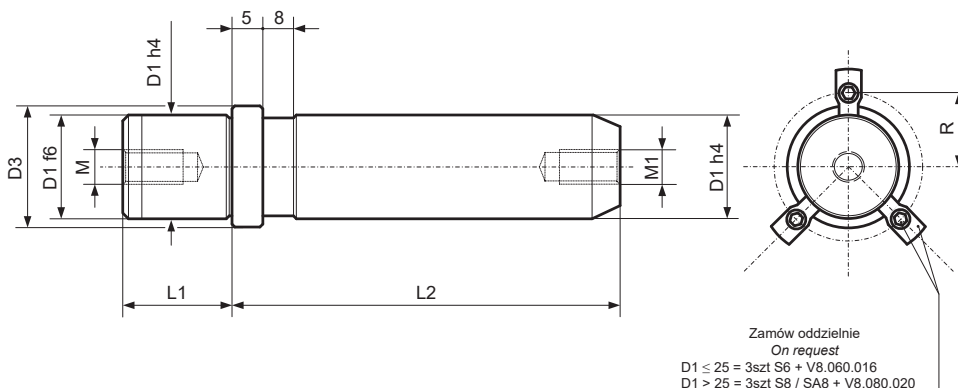
Jak zamówić / How to order

Symbol: CE40180

Podkładki RTE pod słup str. H65  
Washer RTE for pillars page H65

Zaczepy str. H58  
Retaining clamps page H58

Inne wymiary na żądanie  
Other dimensions on demand



Symbol	D1	Symbol	D1	L2	L1	D3	M	M1	R
CE18100	18	CE19100	19	100	20	25	M8	M6	16,5
CE18110		CE19110		110					
CE18120		CE19120		120					
CE18130		CE19130		130					
CE18140		CE19140		140					
CE18150		CE19150		150					
CE18160	CE19160	160	25	32	M10	M6	20		
CE24100	CE25100	100							
CE24110	CE25110	110							
CE24120	CE25120	120							
CE24130	CE25130	130							
CE24140	CE25140	140							
CE24150	CE25150	150							
CE24160	CE25160	160							
CE24170	CE25170	170							
CE24180	CE25180	180							
CE24200	CE25200	200							
CE30100	30	CE32100						32	100
CE30110		CE32110	110						
CE30120		CE32120	120						
CE30130		CE32130	130						
CE30140		CE32140	140						
CE30150		CE32150	150						
CE30160		CE32160	160						
CE30170		CE32170	170						
CE30180		CE32180	180						
CE30200		CE32200	200						
CE30220		CE32220	220						
CE30240		CE32240	240						
CE30260		CE32260	260						
CE30280		CE32280	280						
CE40100	40	CE42100	42	100	35	50	M12	M8	30
CE40110		CE42110		110					
CE40120		CE42120		120					
CE40130		CE42130		130					
CE40140		CE42140		140					
CE40150		CE42150		150					
CE40160		CE42160		160					
CE40170		CE42170		170					
CE40180		CE42180		180					
CE40200		CE42200		200					
CE40220		CE42220		220					
CE40240		CE42240		240					
CE40260		CE42260		260					
CE40280		CE42280		280					
CE40300		CE42300		300					
CE40320		CE42320		320					

# SŁUPY PROWADZĄCE

## DEMOUNTABLE GUIDE PILLARS

**CE**  
STANDARD  
WŁOSKI

Materiał / Material

STAL / STEEL

Twardość / Hardness

60 ± 63 HRC

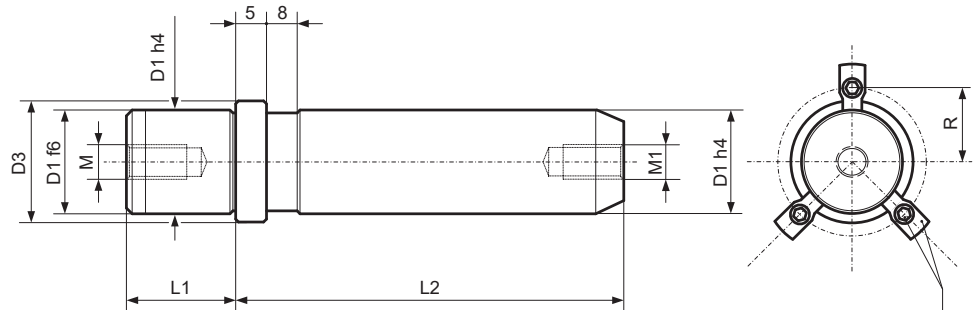
Jak zamówić / How to order

Symbol: CE63200

Podkładki RTE pod słup str. H65  
Washer RTE for pillars page H65

Zaczepty str. H58  
Retaining clamps page H58

Inne wymiary na żądanie  
Other dimensions on demand



Zamów oddzielnie  
On request  
D1 ≤ 25 = 3szt S6 + V8.060.016  
D1 > 25 = 3szt S8 / SA8 + V8.080.020

Symbol	D1	Symbol	D1	L2	L1	D3	M	M1	R
CE50110	50	CE52110	52	110	45	62	M12	M8	36
CE50120		CE52120		120					
CE50130		CE52130		130					
CE50140		CE52140		140					
CE50150		CE52150		150					
CE50160		CE52160		160					
CE50170		CE52170		170					
CE50180		CE52180		180					
CE50200		CE52200		200					
CE50220		CE52220		220					
CE50240		CE52240		240					
CE50260		CE52260		260					
CE50280		CE52280		280					
CE50300		CE52300		300					
CE50320		CE52320		320					
CE50360		CE52360		360					
CE50400	CE52400	400							
	63	CE63130	63	130	49	73	M12	M10	41.5
		CE63140		140					
		CE63150		150					
		CE63160		160					
		CE63170		170					
		CE63180		180					
		CE63200		200					
		CE63220		220					
		CE63240		240					
		CE63260		260					
	CE63280	280							
	CE63300	300							
	CE63320	320							
	CE63360	360							
	CE63400	400							
	80	CE80180	80	180	59	93	M12	M10	51.5
		CE80200		200					
		CE80220		220					
		CE80240		240					
		CE80260		260					
		CE80280		280					
		CE80300		300					
		CE80320		320					
	CE80360	360							
	CE80400	400							

Elementy prowadzące do tloczników