

Materiał / Material

16MnCr5

Twardość / Hardness

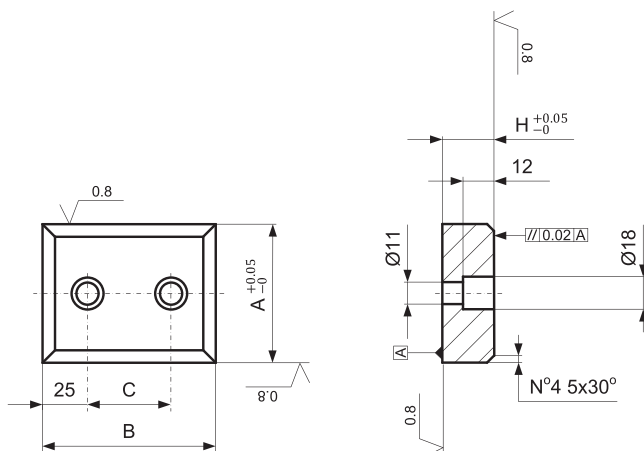
58 + 60 HRC

Jak zamówić / How to order

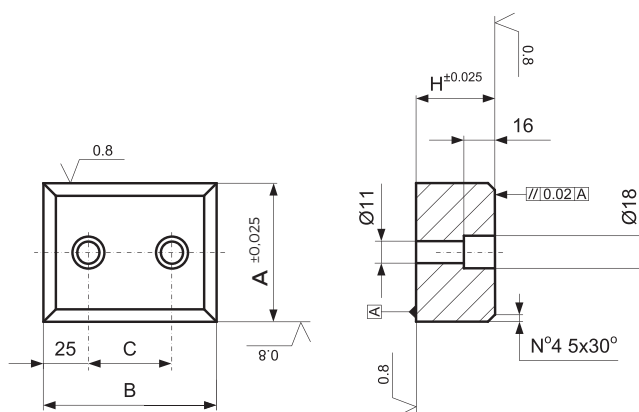
Symbol: LR11.7520150

Sruby V8 / V12 str. J144
Screws V8 / V12 page J144

Inne wymiary na żądanie
Other dimensions on demand



FORMA A
FORM A



FORMA B
FORM B

Symbol	A	B	H	C	FORMA FORM
LR11.4820100	48	100	20	50	A
LR11.4820150		150	20	100	A
LR11.7520100	75	100	20	50	A
LR11.7520150		150	20	100	A
LR11.7538100	75	100	38	50	B
LR11.7538150		150	38	100	B