



Materiał / Material

1. 16MnCr5 kuty / forged
2. 16MnCr5 kuty / forged
3. CK45

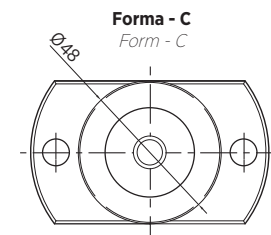
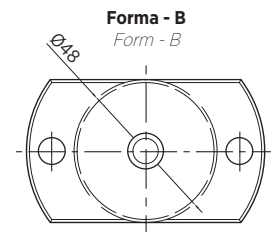
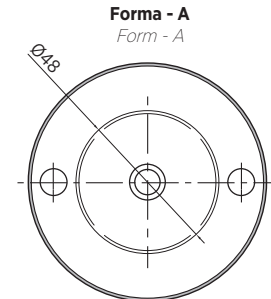
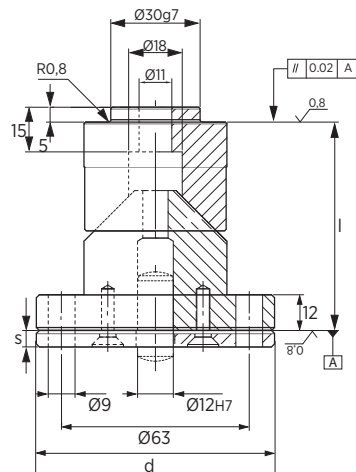
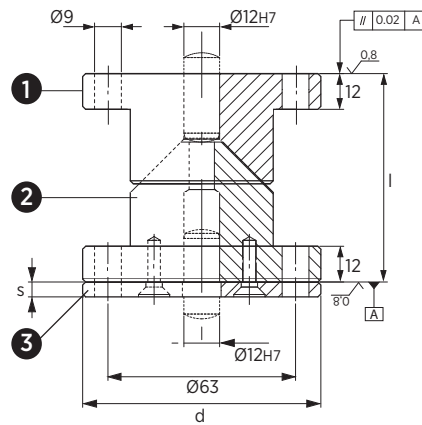
Twardość / Hardness

1. 60 ± 64 HRC
2. 60 ± 64 HRC

Jak zamówić / How to order

Symbol: M302-08-080-105

Inne wymiary na życzenie
Other dimensions on demand



Symbol	Forma Form	d	s	l ±0,05
M302-08-080-005	A	80	5	70
M302-08-080-055	A	80	5,5	70
M302-08-080-105	B	80	5	70
M302-08-080-155	B	80	5,5	70
M302-08-080-205	C	80	5	70
M302-08-080-255	C	80	5,5	70