

BOLCE BLOKUJĄCE

PAD RETAINER PINS

M306-02



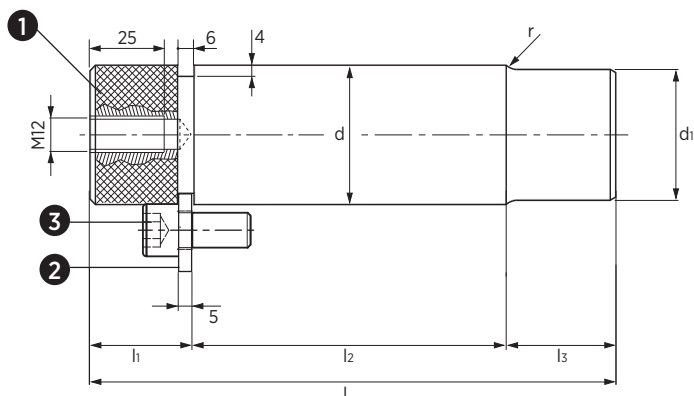
Materiał / Material

1. 42CrMo4
800+1000 N/mm²
2. CK45
Podkładka / Washer 5xØ13,2xØ30
3. Śruba / Screw M12x20 DIN912

Jak zamówić / How to order

Symbol: M306-02-040139

Inne wymiary na żądanie
Other dimensions on demand



| Symbol | d e8 | l | l1 | l2 | l3 | d1 +0,05 | r | Obciążenie dynamiczne Dynamic load (kN) |
|----------------|---------|-----|----|-----|----|-------------|---|--|
| M306-02-032105 | 32 | 105 | 22 | 58 | 25 | 29 | 4 | 3 |
| M306-02-032122 | 32 | 122 | 22 | 75 | 25 | 29 | 4 | 3 |
| M306-02-040139 | 40 | 139 | 32 | 75 | 32 | 37 | 5 | 5 |
| M306-02-040159 | 40 | 159 | 32 | 95 | 32 | 37 | 5 | 5 |
| M306-02-050167 | 50 | 167 | 32 | 95 | 40 | 47 | 6 | 7,5 |
| M306-02-050192 | 50 | 192 | 32 | 120 | 40 | 47 | 6 | 7,5 |
| M306-02-063202 | 63 | 202 | 32 | 120 | 50 | 60 | 6 | 12,5 |
| M306-02-063237 | 63 | 237 | 32 | 155 | 50 | 60 | 6 | 12,5 |

Elementy transportowe, mocujące i złączne