

# SŁUPY PROWADZĄCE

## DEMOUNTABLE GUIDE PILLARS

**CEBT**  
STANDARD  
WŁOSKI

Materiał / Material

STAL / STEEL

Twardość / Hardness

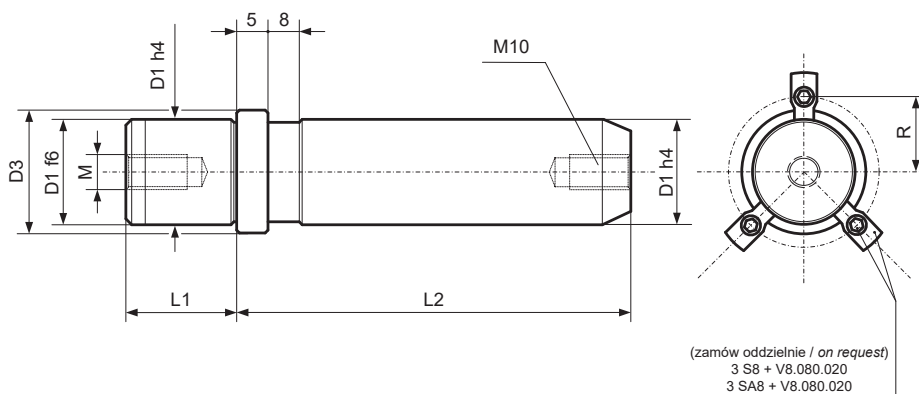
60 ÷ 63 HRC

Jak zamówić / How to order

Symbol: CEBT63140

Zaczepty str. H58  
Retaining clamps page H58

Inne wymiary na żądanie  
Other dimensions on demand



| Symbol    | D1 | L1 | L2  | D3 | M   | R    |
|-----------|----|----|-----|----|-----|------|
| CEBT63130 | 63 | 49 | 130 | 77 | M12 | 43,5 |
| CEBT63140 |    |    | 140 |    |     |      |
| CEBT63150 |    |    | 150 |    |     |      |
| CEBT63160 |    |    | 160 |    |     |      |
| CEBT63170 |    |    | 170 |    |     |      |
| CEBT63180 |    |    | 180 |    |     |      |
| CEBT63200 |    |    | 200 |    |     |      |
| CEBT63220 |    |    | 220 |    |     |      |

| Symbol    | D1 | L1 | L2  | D3 | M   | R    |
|-----------|----|----|-----|----|-----|------|
| CEBT63240 | 63 | 49 | 240 | 77 | M12 | 43,5 |
| CEBT63260 |    |    | 260 |    |     |      |
| CEBT63280 |    |    | 280 |    |     |      |
| CEBT63300 |    |    | 300 |    |     |      |
| CEBT63320 |    |    | 320 |    |     |      |
| CEBT63360 |    |    | 360 |    |     |      |
| CEBT63400 |    |    | 400 |    |     |      |

# PODKŁADKI POD SŁUP CE / CEBT

## WASHERS FOR PILLARS CE / CEBT

**RTE**  
STANDARD  
WŁOSKI

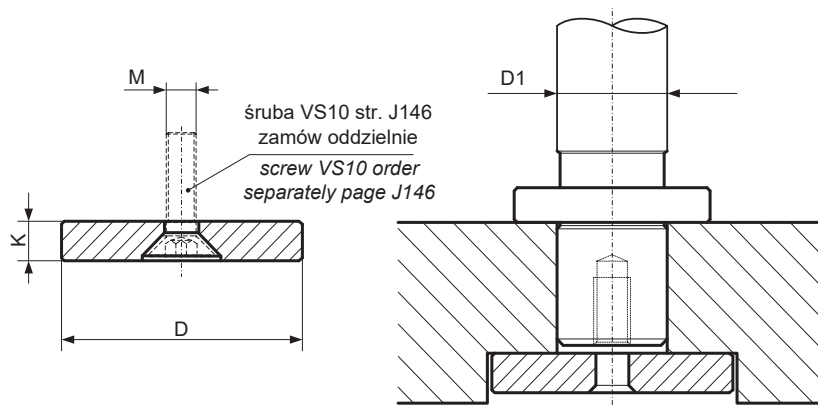
Materiał / Material

1.1730

Jak zamówić / How to order

Symbol: RTE93

Inne wymiary na żądanie  
Other dimensions on demand



| Symbol | D1    | D  | K  | M   |
|--------|-------|----|----|-----|
| RTE25  | 18-19 | 25 | 6  | M8  |
| RTE32  | 24-25 | 32 | 7  | M10 |
| RTE40  | 30-32 | 40 | 7  | M10 |
| RTE50  | 40-42 | 50 | 9  | M12 |
| RTE62  | 50-52 | 62 | 9  | M12 |
| RTE73  | 63    | 73 | 9  | M12 |
| RTE93  | 80    | 93 | 12 | M12 |