

# ŁAPY DOCISKOWE WIDLASTE Z CZOPEM

## FORKED CLAMPS WITH CYLINDRICAL SHANK

### DIN 6315C

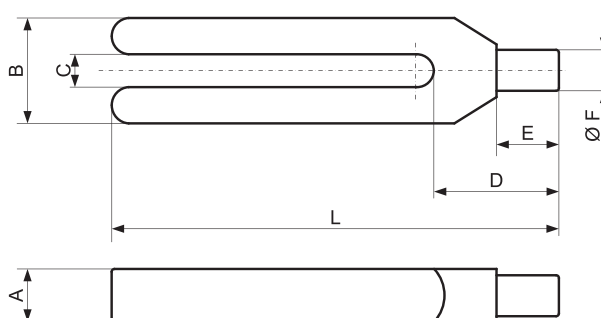
# S240

#### Materiał / Material

Stal hartowana malowana  
Hardened painted steel  
R > 600N/mm<sup>2</sup>

#### Jak zamówić / How to order

Symbol: S240.26315



Symbol	A	B	L	C	D	E	F	Śruba Screw	Waga Weight (g)
S240.09100	15	30	100	9	30	18	12	8	205
S240.11125	20	30	125	11	36	24	16	10	335
S240.14160	25	40	160	14	45	30	20	12-14	720
S240.14200	25	40	200	14	45	30	20	12-14	920
S240.18200	30	50	200	18	55	36	24	16-18	1310
S240.18250	30	50	250	18	55	36	24	16-18	1640
S240.22250	40	60	250	22	65	45	30	20-22	2610
S240.22315	40	60	315	22	65	45	30	20-22	3300
S240.26250	40	70	250	26	80	56	38	24	3100
S240.26315	40	70	315	26	80	56	38	24	3900
S240.34315	50	80	315	34	85	56	45	27-30	5500
S240.34400	50	80	400	34	85	56	45	27-30	6900

# ŁAPY DOCISKOWE WIDLASTE Z NOSEM

## FORKED CLAMPS WITH NIB

### NR 6315GN

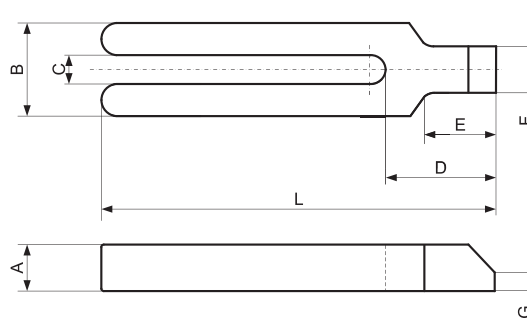
# S250

#### Materiał / Material

Stal hartowana malowana  
Hardened painted steel  
R > 600N/mm<sup>2</sup>

#### Jak zamówić / How to order

Symbol: S250.26315



Symbol	A	B	L	C	D	E	F	G	Śruba Screw	Waga Weight (g)
S250.09100	15	30	100	9	32	18	16	5	8	225
S250.11125	20	30	125	11	38	24	20	6	10	360
S250.14160	25	40	160	14	47	30	25	7	12-14	770
S250.14200	25	40	200	14	47	30	25	7	12-14	950
S250.18200	30	50	200	18	57	36	28	8	16-18	1420
S250.18250	30	50	250	18	57	36	28	8	16-18	1700
S250.22250	40	60	250	22	68	45	35	10	20-22	2790
S250.22315	40	60	315	22	68	45	35	10	20-22	3480
S250.26250	40	70	250	26	83	56	43	10	24	3320
S250.26315	40	70	315	26	83	56	43	10	24	4270
S250.34315	50	80	315	34	88	56	50	12	27-30	5700
S250.34400	50	80	400	34	88	56	50	12	27-30	7250

Elementy transportowe, mocujące i łączące