

# SŁUPY PROWADZĄCE

## DEMOUNTABLE GUIDE PILLARS

### WDX 13-65-20

# WDX

Materiał / Material

STAL / STEEL

Twierdzość / Hardness

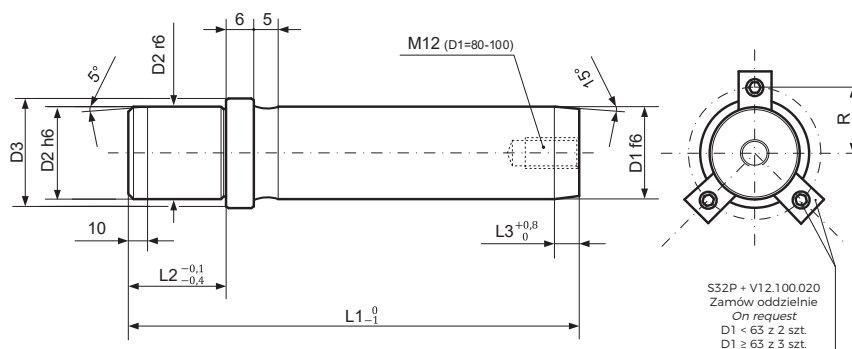
60 ± 64 HRC

Jak zamówić / How to order

Symbol: WDX50200

Inne wymiary na żądanie  
Other dimensions on demand

Zaczepty str. H58  
Retaining clamps page H58



| Symbol    | D1  | L1  | D2  | D3  | R    | L2  | L3 |
|-----------|-----|-----|-----|-----|------|-----|----|
| WDX25125  | 25  | 125 | 25  | 33  | 34   | 40  | 4  |
| WDX25140  |     | 140 |     |     |      |     |    |
| WDX25160  |     | 160 |     |     |      |     |    |
| WDX25180  |     | 180 |     |     |      |     |    |
| WDX25200  |     | 200 |     |     |      |     |    |
| WDX25224  |     | 224 |     |     |      |     |    |
| WDX32140  | 32  | 140 | 32  | 40  | 37,5 | 45  | 8  |
| WDX32160  |     | 160 |     |     |      |     |    |
| WDX32180  |     | 180 |     |     |      |     |    |
| WDX32200  |     | 200 |     |     |      |     |    |
| WDX32224  |     | 224 |     |     |      |     |    |
| WDX32250  |     | 250 |     |     |      |     |    |
| WDX40160  | 40  | 160 | 40  | 50  | 41,5 | 56  | 8  |
| WDX40180  |     | 180 |     |     |      |     |    |
| WDX40200  |     | 200 |     |     |      |     |    |
| WDX40224  |     | 224 |     |     |      |     |    |
| WDX40250  |     | 250 |     |     |      |     |    |
| WDX40280  |     | 280 |     |     |      |     |    |
| WDX50160  | 50  | 160 | 50  | 60  | 46,5 | 70  | 10 |
| WDX50180  |     | 180 |     |     |      |     |    |
| WDX50200  |     | 200 |     |     |      |     |    |
| WDX50224  |     | 224 |     |     |      |     |    |
| WDX50250  |     | 250 |     |     |      |     |    |
| WDX50280  |     | 280 |     |     |      |     |    |
| WDX50315  | 315 |     |     |     |      |     |    |
| WDX63200  | 63  | 200 | 63  | 80  | 53   | 80  | 10 |
| WDX63224  |     | 224 |     |     |      |     |    |
| WDX63250  |     | 250 |     |     |      |     |    |
| WDX63280  |     | 280 |     |     |      |     |    |
| WDX63315  |     | 315 |     |     |      |     |    |
| WDX63355  |     | 355 |     |     |      |     |    |
| WDX63400  | 400 |     |     |     |      |     |    |
| WDX80224  | 80  | 224 | 80  | 90  | 61,5 | 100 | 10 |
| WDX80250  |     | 250 |     |     |      |     |    |
| WDX80280  |     | 280 |     |     |      |     |    |
| WDX80315  |     | 315 |     |     |      |     |    |
| WDX80355  |     | 355 |     |     |      |     |    |
| WDX80400  |     | 400 |     |     |      |     |    |
| WDX80500  | 500 |     |     |     |      |     |    |
| WDX100280 | 100 | 280 | 100 | 110 | 71,5 | 125 | 10 |
| WDX100315 |     | 315 |     |     |      |     |    |
| WDX100355 |     | 355 |     |     |      |     |    |
| WDX100400 |     | 400 |     |     |      |     |    |
| WDX100500 |     | 500 |     |     |      |     |    |

Elementy prowadzące do tloczników